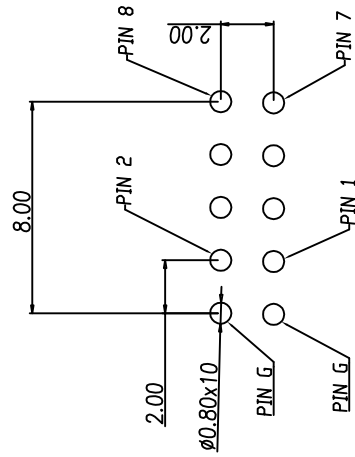
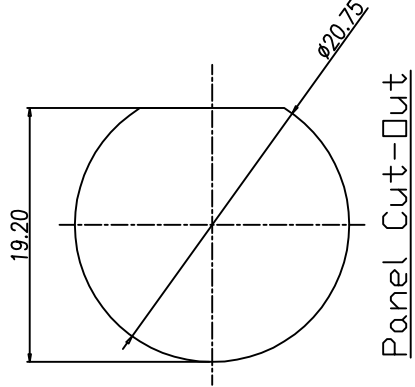
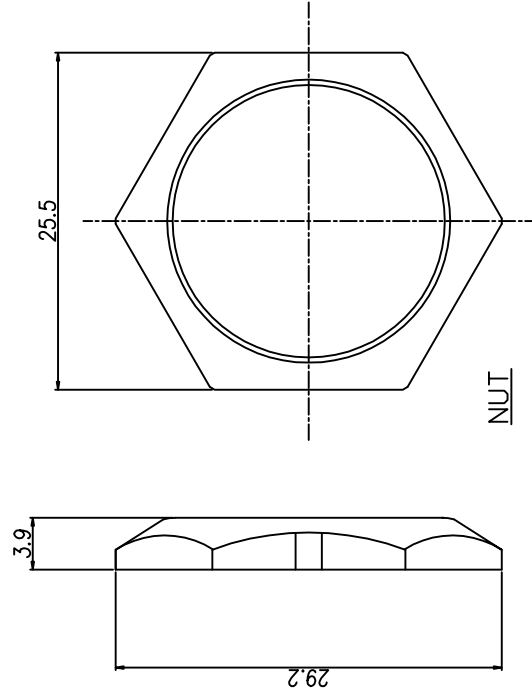
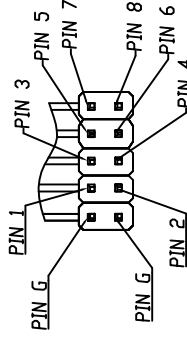
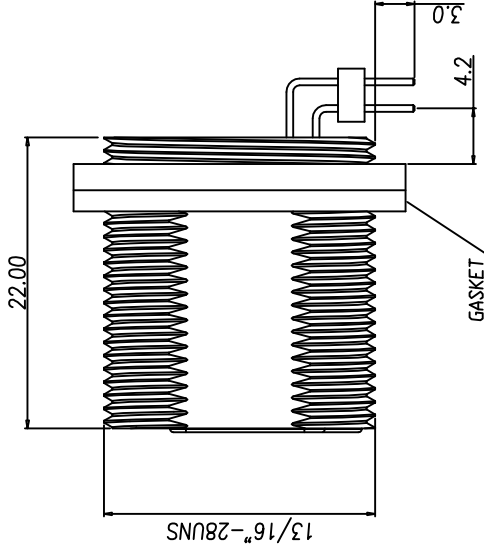
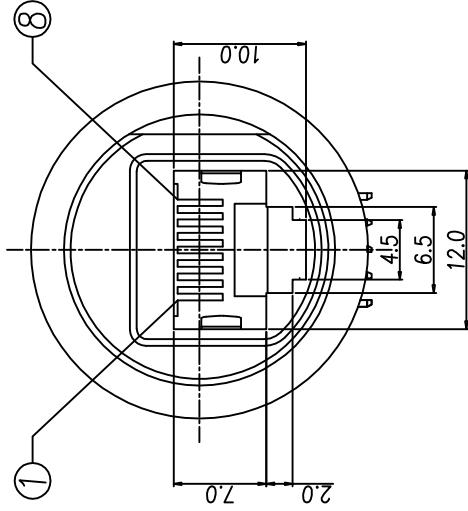




* SUBJECT TO CHANGE WITHOUT NOTICE



P.C.B LAYOUT(TOP VIEW)
SCALE 2:1



Panel Cut-Out

1. MATERIAL :

- 1-1. HOUSING : PBT UL94V-0 ; COLOR : BLACK.
- 1-2. CONTACT : PHOSPHOR BRONZE
- 1-3. SHELL : PA66
- 1-4. GROUND : SUS 301
- 1-5. GASKET : SILICONE ; COLOR : BLACK.
- 1-6. NUT : PA66

2. FINISH :

- 2-1. CONTACT : GOLD FLASH MICRO INCHES MIN.
- 3. ELECTRICAL SPECIFICATION :**
- 3-1. Rated current : 1.5A
 - 3-2. Rated Voltage : 125V
 - 3-3. Water proof : IPX7
- 4. Environmental :**
- 4-1. Operation Temperature : -20℃~85℃

REV.	DESCRIPTION	APPROVED BY	DATE	ECN NO.
A	RELEASE	KUNG	15/06/20*	
B				
C				

DRAWN	KU	APP'D	KUNG	UNIT	mm	TOLERANCE	±0.20 ±0.10 ±0.05 ±0.03	ANGLE	±1°	TITLE	RJ45 (F) PANEL MOUNT, RIGHT ANGLE .DIP TYPE.	SHEET	1
CHK'D	Emily Suen			SCALE	1:1					PART NO.	RJ-08F2-13-11	VERSION	A
										DWG.	QC9122		

JKL TECHNOLOGY CO., LTD.

