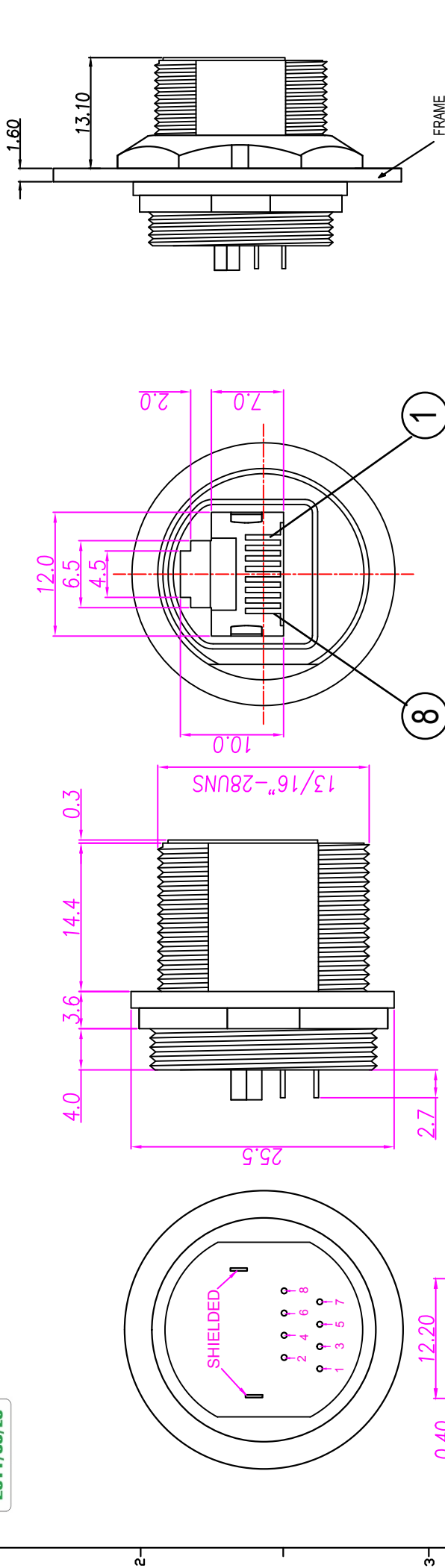
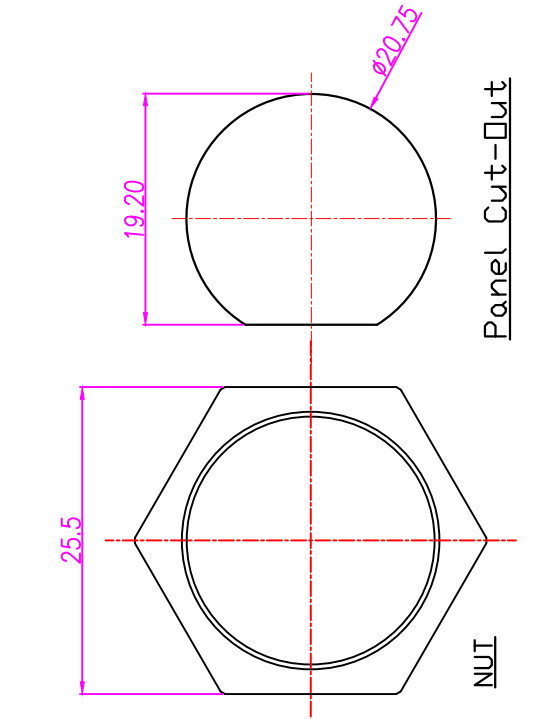


REV. A	RELEASE	KUNG	15/09/14"	
REV. B	GROUND : NICKEL PLATED	KUNG	23/02/16"	
REV. C				

DRAW	Ku Chou	APPVL	KUNG	TITLE	RJ45 8P JACK WATERPROOF PANEL MOUNT	SHEET	1
CHECK	Emily Suen			PART NO.	RJ-08F2-01	VERSION	B
				DWG NO.	QC5599		



- MATERIAL :
 - 1-1. HOUSING : PBT UL94V-0 ; COLOR : BLACK.
 - 1-2. CONTACT : PHOSPHOR BRONZE
 - 1-3. SHELL : Zn ALLOY
 - 1-4. GROUND : SUS 301
 - 1-5. O-RING : EPDM ; COLOR : BLACK.
 - 1-6. NUT : BRASS
 - 1-7. EPOXY BASE : EF400A&EF400B. COLOR : BLACK.
- FINISH :
 - 2-1. CONTACT : GOLD FLASH MICRO INCHES MIN.
 - 2-2. NUT : NICKEL PLATED.
 - 2-3. SHELL : NICKEL PLATED.
 - 2-4. GROUND : NICKEL PLATED.
- ELECTRICAL SPECIFICATION :
 - 3-1. Rated current : 2A
 - 3-2. Rated Voltage : 250V
 - 3-3. Water proof : IPX7
- Environmental :
 - 4-1. Operation Temperature : -40C~85C



P.C.B LAYOUT

Panel Cut-Out

DRAW	Ku Chou	APPVL	KUNG	TITLE	RJ45 8P JACK WATERPROOF PANEL MOUNT	SHEET	1
CHECK	Emily Suen			PART NO.	RJ-08F2-01	VERSION	B
				DWG NO.	QC5599		