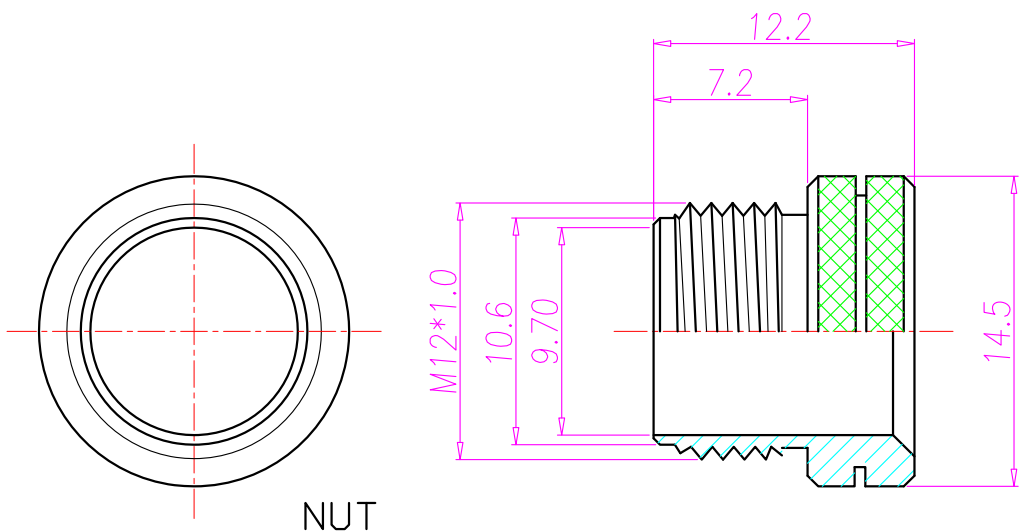
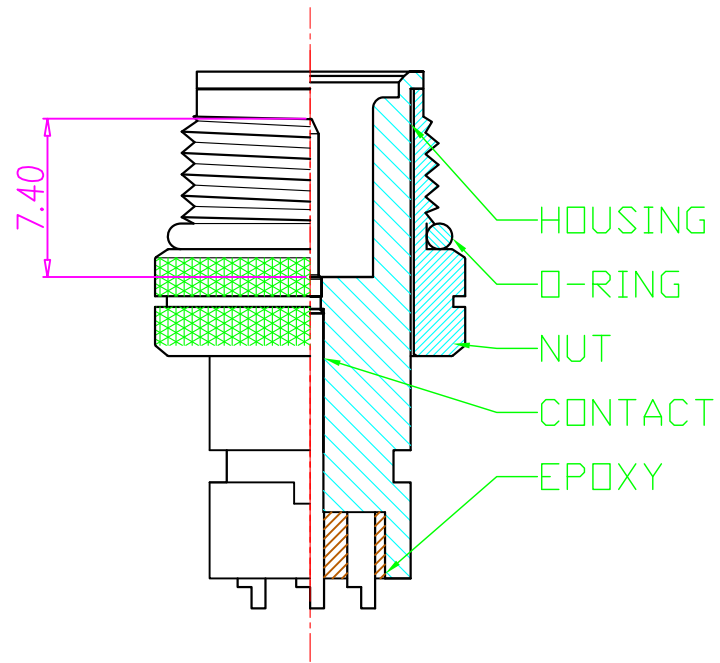
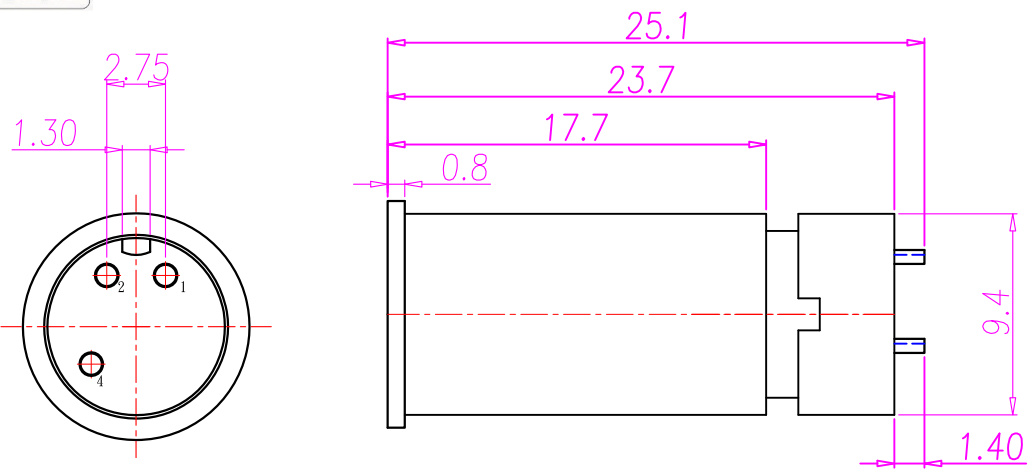




REV.	DESCRIPTION	APPVL. BY	DATE	ECN NO.
C	RELEASE	KUNG	31/05/10*	
D				
E				



1. MATERIAL :
 - 1-1. HOUSING : PBT UL94V-0;COLOR: BLACK
 - 1-2. CONTACT : BRASS
 - 1-3. NUT : BRASS
 - 1-4. O-RING : EPDM; COLOR : BLACK
 - 1-5. Epoxy Base : EF400A&EF400B.COLOR:BLACK
2. FINISH :
 - 2-1. CONTACT A : 10 MICRO INCHES MIN. GOLD PLATED
UNDER PLATE : NICKEL
 - 2-2. NUT : NICKEL PLATED.
3. ELECTRICAL SPECIFICATION :
 - 3-1. Rated current : 5A
 - 3-2. Rated Voltage : 125V
 - 3-3. Water proof : IPX7
4. Environmental :
 - 4-1. Operation Temperature : -40 ℃~85℃

DRAW	KU	APPVL	KUNG	UNIT	mm	TOLERANCE		JKL TECHNOLOGY CO., LTD.			TITLE	M12 3PIN (M) WATERPROOF CONNECTOR FOR CABLE			SHEET	
CHECK				SCALE	1:1	.x ±0.20 .xx ±0.10 .xxx ±0.05 .xxxx ±0.03 ANGULA ±1°					PART NO.	WP-03M2-09	DWG NO.	QC3850	VERSION	