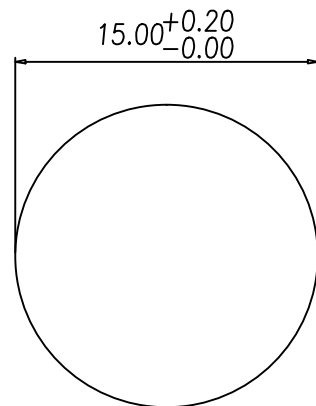
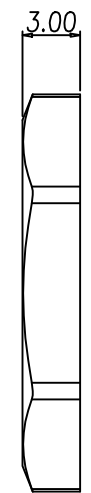
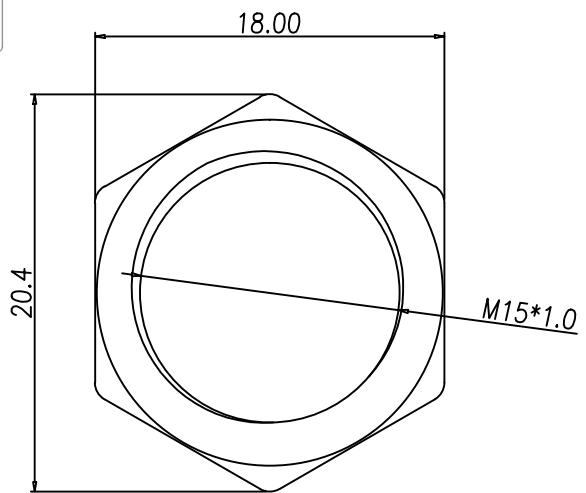
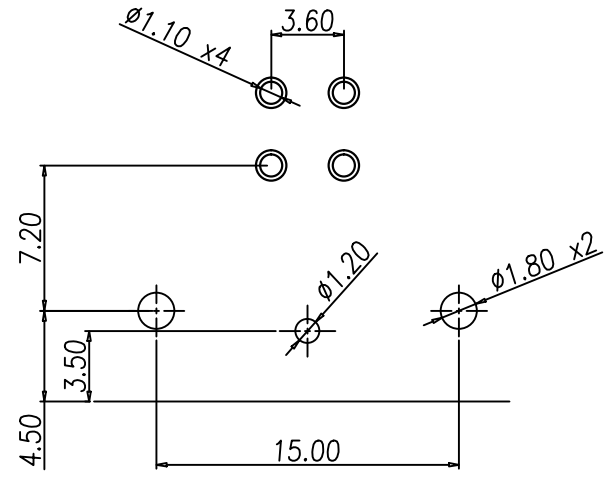




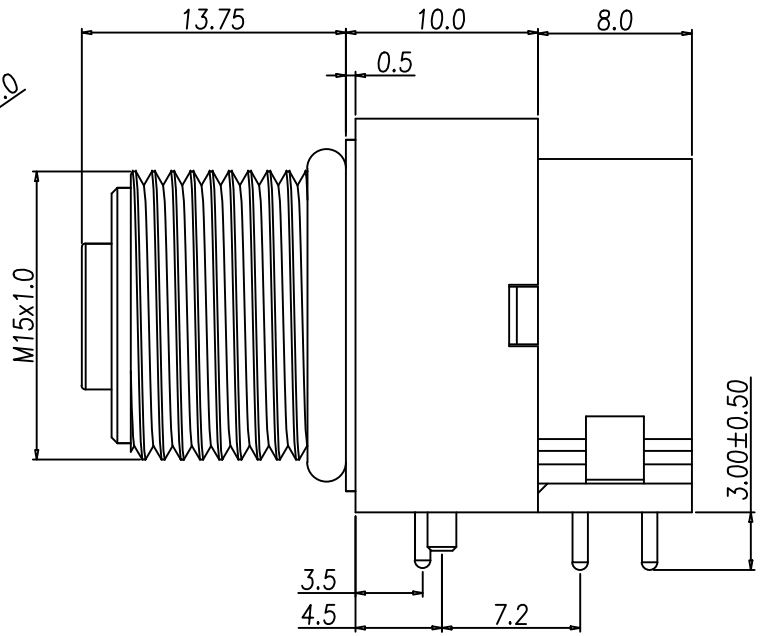
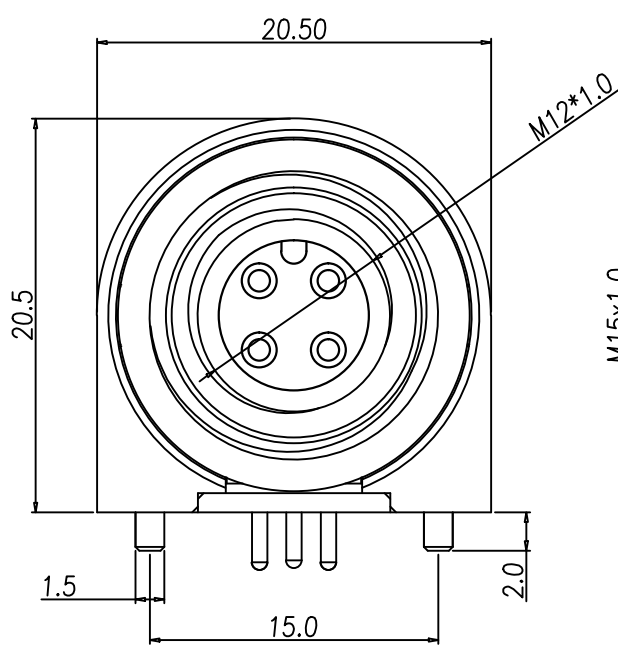
REV.	DESCRIPTION	APPVL. BY	DATE	ECN NO.
A	RELEASE	KUNG	22/12/08*	
B				
C				



PANEL CUT-OUT

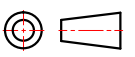


P.C.B LAYOUT
4p



- MATERIAL :
 - 1-1. HOUSING : PBT UL94V-0 ; COLOR : BLACK
 - 1-2. CONTACT : BRASS
 - 1-3. NUT : BRASS
 - 1-4. O-RING : EPDM ; COLOR : BLACK
 - 1-5. BACK HOUSING : PBT UL94V-0 ; COLOR : BLACK
 - 1-6. DOWN HOUSING : PBT UL94V-0 ; COLOR : BLACK
- FINISH :
 - 2-1. CONTACT : GOLD FLASH
 - 2-2. NUT : NICKEL 80u"~100u" ON OVER ALL
- ELECTRICAL SPECIFICATION :
 - 3-1. Rated current : 5A
 - 3-2. Rated voltage : 125V
 - 3-3. Water proof : IPX7
- Environmental :
 - 4-1. Operation Temperature : -40°~+85°

DRAW	KU	APPVL	KUNG	UNIT	mm	TOLERANCE
CHECK				SCALE	1:1	.x ±0.10 .xx ±0.05 .xxx ±0.03 .xxxx ±0.01 ANGULA ±1°



JKL TECHNOLOGY CO., LTD.

TITLE	M12 4PIN (F) RIGHT ANGLE FRONT PANEL MOUNT.			SHEET	1
PART NO.	WP-04F2-04-11	DWG NO.	QC6534	VERSION	A