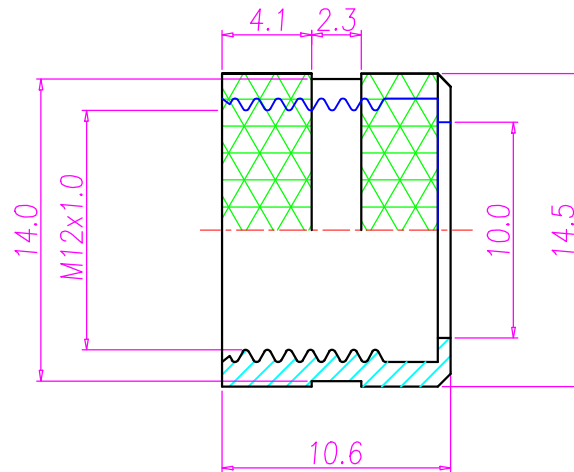
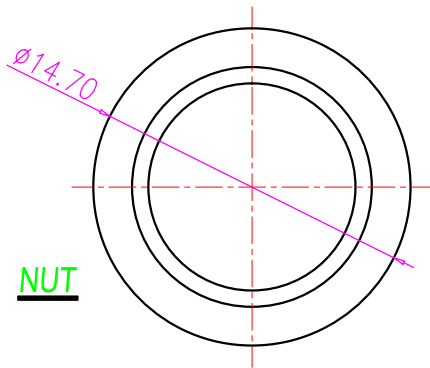
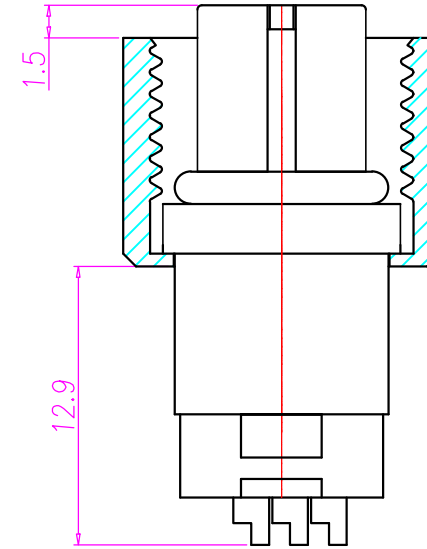
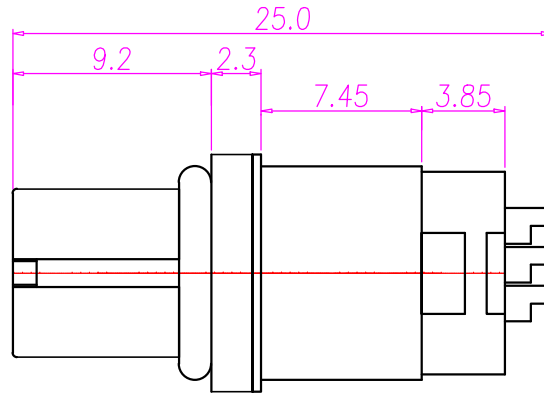
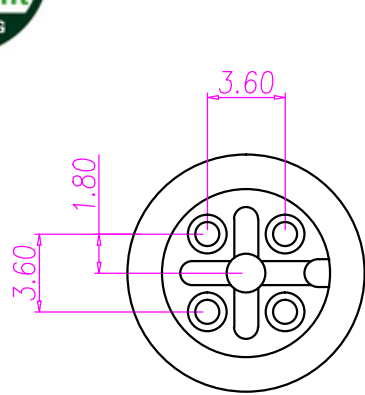




| REV. | DESCRIPTION | APPROVED BY | DATE | ECN NO. |
|------|-------------|-------------|------|---------|
| A | | | | |
| B | | | | |
| C | | | | |



1. MATERIAL :
 - 1-1. HOUSING : PBT UL94V-0 ; COLOR : BLACK
 - 1-2. CONTACT : BRASS
 - 1-3. NUT : BRASS
 - 1-4. SHELL : BRASS
 - 1-5. O-RING : EDPM
2. FINISH :
 - 2-1. CONTACT : 10 MICRO INCHES MIN. GOLD PLATED UNDER PLATE : NICKEL
 - 2-2. NUT : NICKEL PLATED
 - 2-3. SHELL : NICKEL PLATED
3. ELECTRICAL SPECIFICATION :
 - 3-1. Rated current : 5A
 - 3-2. Rated Voltage : 125V
 - 3-3. Water proof: IPX7
4. Environmental :
 - 4-1. Operation Temperature : -40°C~85°C

| DRAWN | KU | APPEND | KUNG | UNIT | mm | TOLERANCE | | TITLE | M12 4 PIN (5 HOLD) FEMALE SHIELDED WATERPROOF CONNECTOR FOR CABLE | SHEET | | | | |
|--------|----|--------|------|-------|-----|--|--|--------------------------|---|-------------|---------|--------|---------|---|
| CHOKED | | | | SCALE | 1:1 | .x ±0.20 .xx ±0.10 .xxx ±0.05 .xxxx ±0.03 ANGULA ±1° | | JKL TECHNOLOGY CO., LTD. | PART NO. | WP-04F2-104 | DWG NO. | QC6158 | VERSION | A |