

REV.	DESCRIPTION	APPL. BY	DATE	ECN NO.
A	RELEASE	KUNG	20/07/18'	
B	CHANGE CLAMP RING MATERIAL	KUNG	31/10/18'	
C				

* SUBJECT TO CHANGE WITHOUT NOTICE

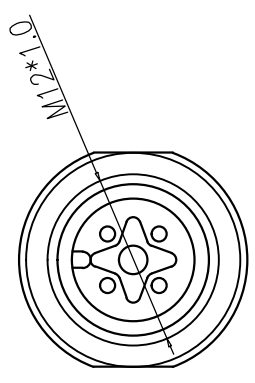
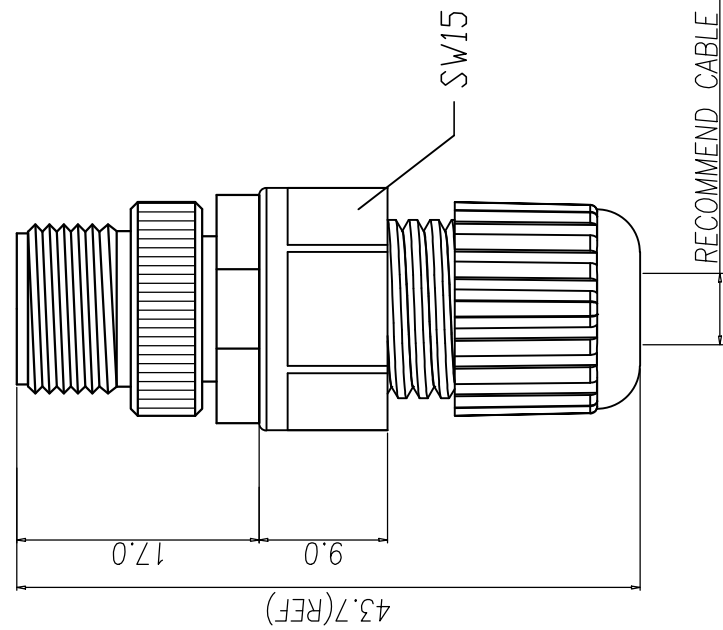


TABLE A

WP-05M2-130-11	WP-04M2-162-11	WP-03M2-112-11

PIN ASSIGNMENTS
FRONT VIEW



- MATERIAL :
 - 1-1. HOUSING : PBT UL94V-0 ; COLOR : BLACK.
 - 1-2. CONTACT : BRASS
 - 1-3. SHELL : BRASS
 - 1-4. NUT : ALUMINUM ALLOY
 - 1-5. GASKET : SILICONE
 - 1-6. CLAMP RING : PA66 Δ
 - 1-7. SEAL : SILICONE
 - 1-8. SEALING NUT : PA66
- FINISH :
 - 2-1. CONTACT : GOLD FLASH PLATED.
 - 2-2. NUT : NICKEL PLATED.
 - 2-3. SHELL : NICKEL PLATED.
- ELECTRICAL SPECIFICATION :
 - 3-1. Rated current : 4A
 - 3-2. Rated voltage : 4PIN 250V ; 5PIN 60V
 - 3-3. Water proof : IP67
- Environmental :
 - 4-1. Operation Temperature : -40 $^{\circ}$ C~105 $^{\circ}$ C

RECOMMEND CABLE OD=5.0mm~6.8mm

DRAW	Ku Chou	APPVL	KUNG	UNIT	MP	TOLERANCE	x ± 0.20 xx ± 0.10 xxx ± 0.05 xxxx ± 0.03 ANGULA ± 1	 	JKL TECHNOLOGY CO., LTD.		TITLE	M12 (M) A-coded Assembly type	SHEET	\oplus
	CHECK								Emily Suen	APPVL	KUNG	SCALE	1:1	PART NO.