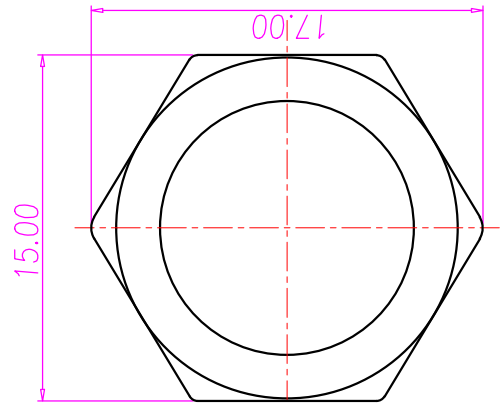


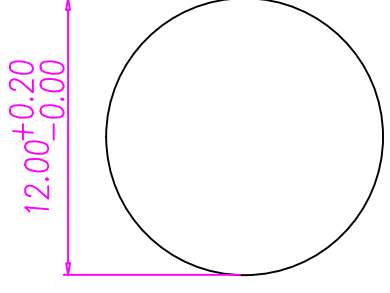
A B C D E F



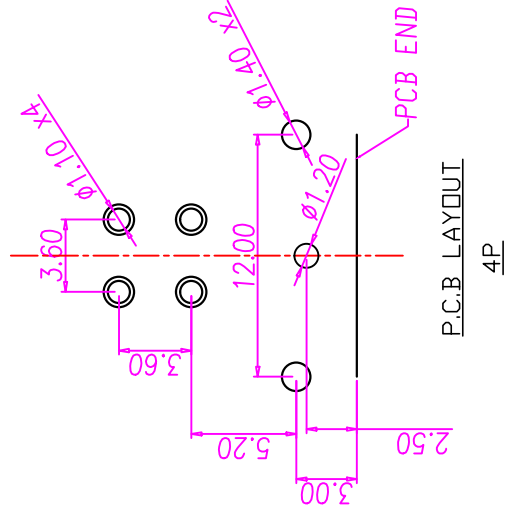
REV.	DESCRIPTION	APPROVED BY	DATE	ECN NO.
A	RELEASE	KUNG	22/12/08*	
B				
C				



NUT

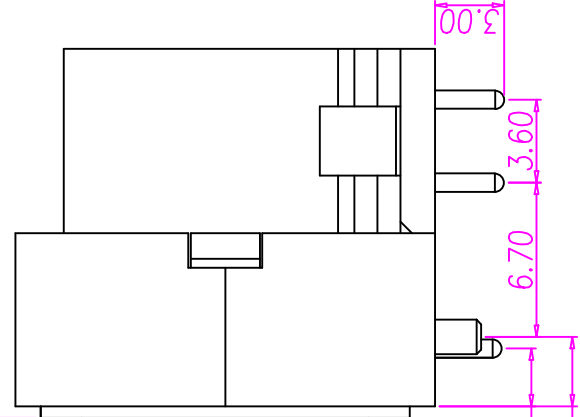
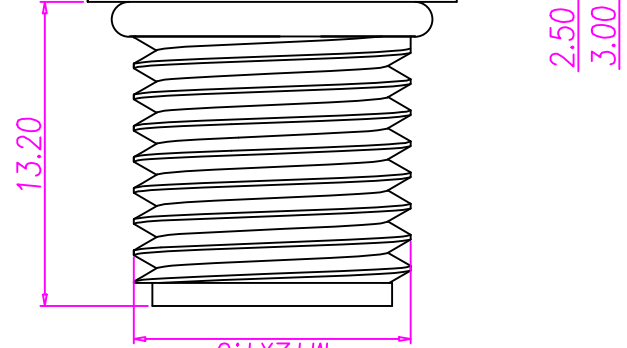
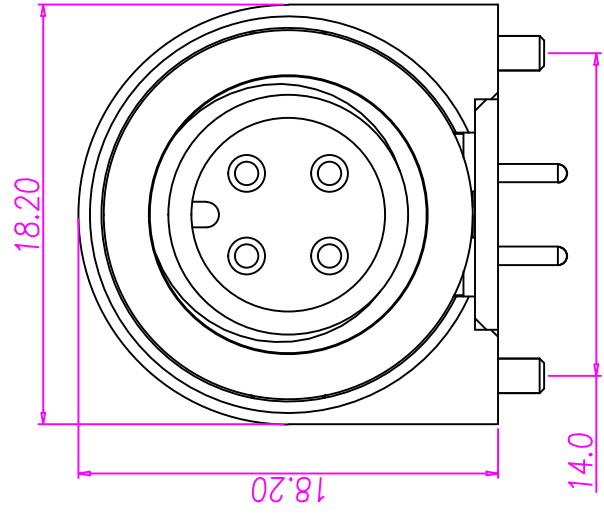


PANEL CUT-OUT



P.C.B LAYOUT

4P



NOTE:

- MATERIAL :
  - 1-1. HOUSING : PBT UL94V-0 ; COLOR : BLACK
  - 1-2. CONTACT : BRASS
  - 1-3. NUT : BRASS
  - 1-4. O-RING : NBR ; COLOR : BLACK
  - 1-5. BACK HOUSING : PBT UL94V-0 ; COLOR : BLACK
  - 1-6. DOWN HOUSING : PBT UL94V-0 ; COLOR : BLACK
- FINISH :
  - 2-1. CONTACT : GOLD FLASH ON OVER ALL UNDER PLATE : NICKEL
  - 2-2. SHELL : STAIN NICKEL 80u"~100u" ON OVER ALL

DRAWN	Yeh Chou	APPEND	KUNG	UNIT	mm	TOLERANCE	x ±0.20 .xx ±0.10 .xxx ±0.05 .xxxx ±0.03 ANGULA ±1*			JKL TECHNOLOGY CO., LTD.		TITLE	M12*1.0 4PIN MALE RIGHT ANGLED PANEL FRONT MOUNT DIP TYPE	SHEET	1
	CHK'D									Emily Suen	PART NO.	N-11379-4P	DWG NO.		VERSION