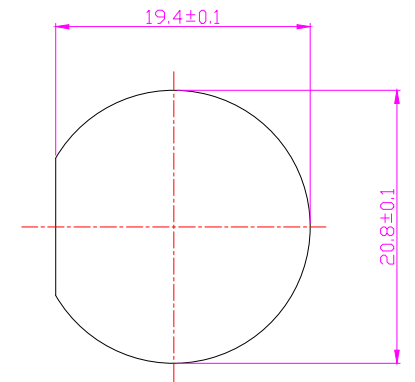
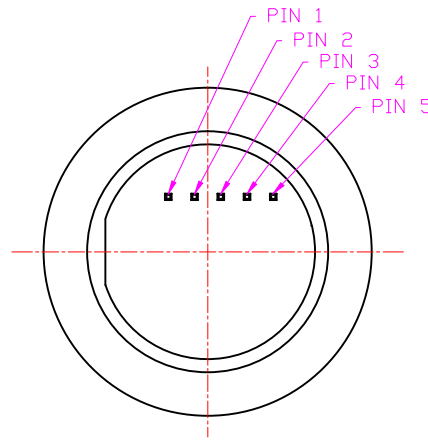
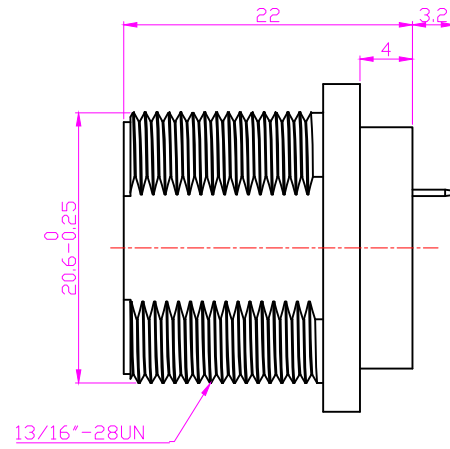
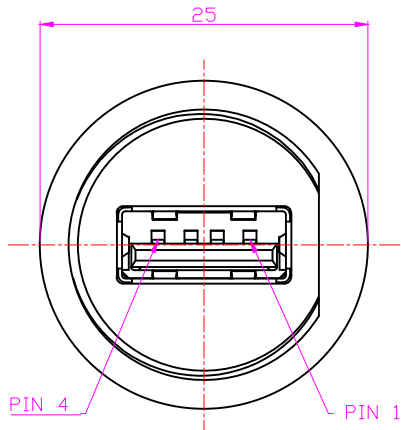


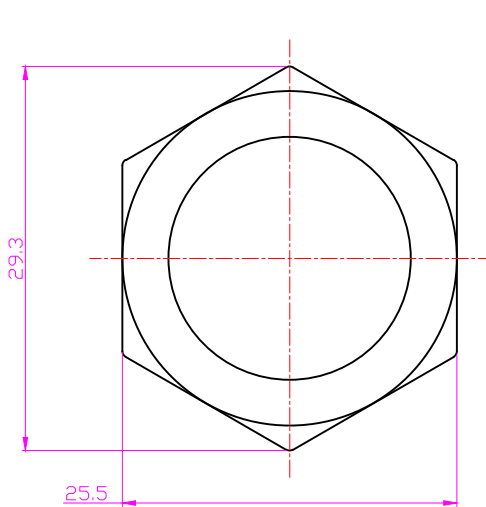


\* SUBJECT TO CHANGE WITHOUT NOTICE

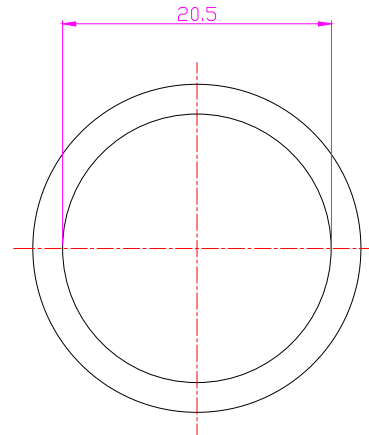
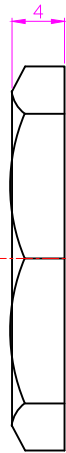
REV.	DESCRIPTION	APPROVED BY	DATE	ECN NO.
A	RELEASE	KUNG	17/07/18'	
B				
C				



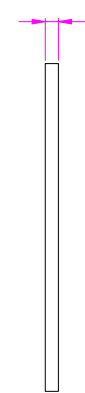
**Recommended Panel Cut-Out**



Nut



Gasket



- MATERIAL :
  - 1-1. HOUSING : PBT UL94V-0 ; COLOR : BLACK.
  - 1-2. CONTACT : PHOSPHOR BRONZE
  - 1-3. SHELL : PA66 UL94V-0 ; COLOR : BLACK.
  - 1-4. GROUND : BRASS
  - 1-5. GASKET : SILICON ; COLOR : GRAY BLACK.
  - 1-6. NUT : PA66
- FINISH :
  - 2-1. CONTACT : GOLD FLASH PLATED
  - 2-2. GROUND : NICKEL PLATED.
- ELECTRICAL SPECIFICATION :
  - 3-1. Rated current : 1.5A
  - 3-2. Rated voltage : 250V AC
  - 3-3. Water proof : IPX7
- Environmental :
  - 4-1. Operation Temperature : -40°C~85°C

DRAWN	Yeh Chou	APP'D	KUNG	UNIT	mm	TOLERANCE		JKL TECHNOLOGY CO., LTD.	TITLE	USB (F) FRONT PANEL MOUNT WATERPROOF CONNECTOR.			SHEET
CHK'D	KU Chou			SCALE	1:1	.x ±0.20 .xx ±0.10 .xxx ±0.05 .xxxx ±0.03 ANGULA ±1°			PART NO.	US-04F3-31-11	DWG NO.	QC8608	VERSION