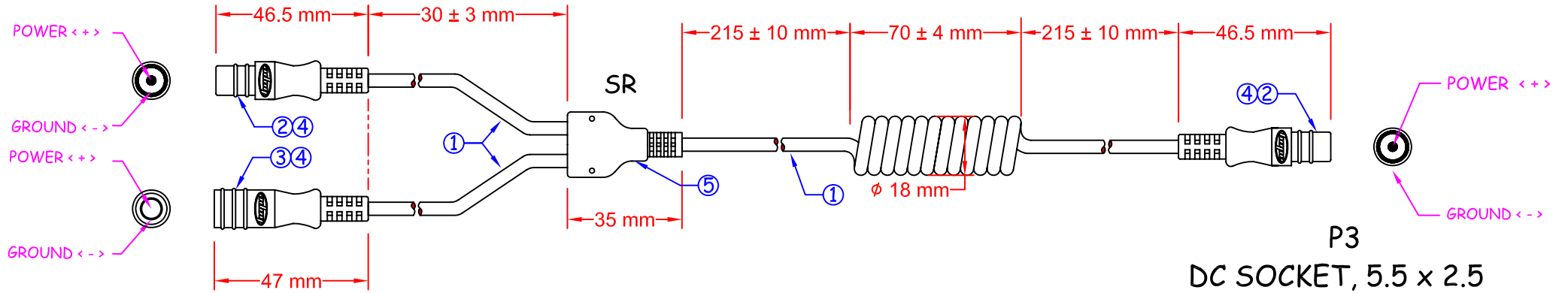


RoHS

ELECTRICAL TEST:

- <1>100% OPEN SHORT&MISS WIRE TEST
- <2>CONTACT RESISTANCE: 2 ohm<MAX>.
- <3>INSULATION RESISTANCE:DC 200V 10ms 5M ohm(MIN).

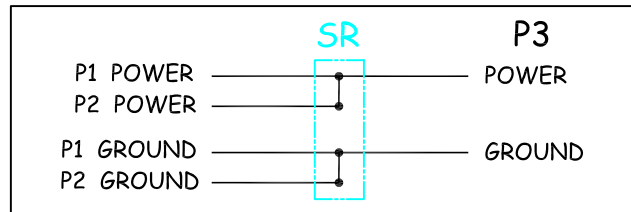
P1
DC SOCKET, 5.5 x 2.5



P2
DC PLUG, 5.5 x 2.5

P3
DC SOCKET, 5.5 x 2.5

WIRE TERMINATIONS



ITEM	DESCRIPTION / REMARKS	QTY	UNIT	LINEAR	LINEAR	SCALE:	DATE:	CUSTOMER:	SIZE	DRAWING NUMBER:	REV	SHEET
6				ULLESS OTHERWISE SPECIFIED				TITLE: DC SUPPLY CABLE ASSEMBLY				
5	BLACK PVC OVERMOLDING					JKL TECHNOLOGY CO., LTD		PART NO: DC-2.5MFF-500C-BK				
4	BLACK TPR OVERMOLDING			CABLE TOLERANCE				CUSTOMER:				
3	DC PLUG, 5.5 x 2.5	1		LENGTH ± 3%		SCALE: FREE	DATE: 06/15/09					
2	DC SOCKET, 5.5 x 2.5	2		CONNECTOR TOLERANCE		UNITS: MILLIMETER	CHK': JOJO					
1	22AWG x 2C, OD: 4.0 mm, BLACK PU JACKET	3		.XXX±	LINEAR	DRAWN BY: NEIL	APP' D:					
				.XX±	LINEAR							