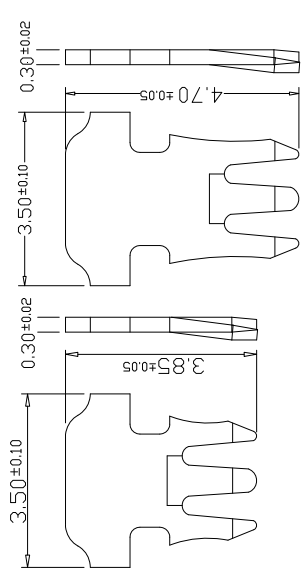
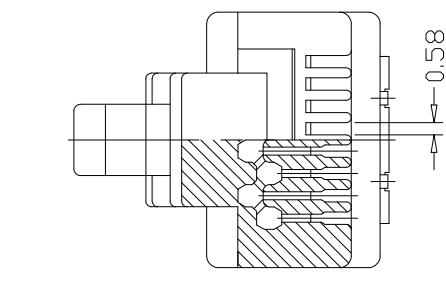
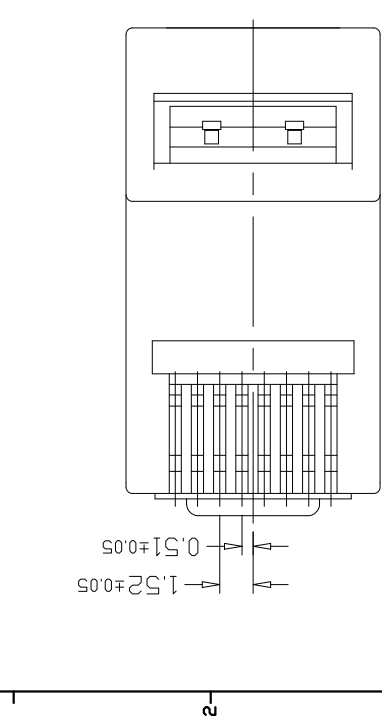


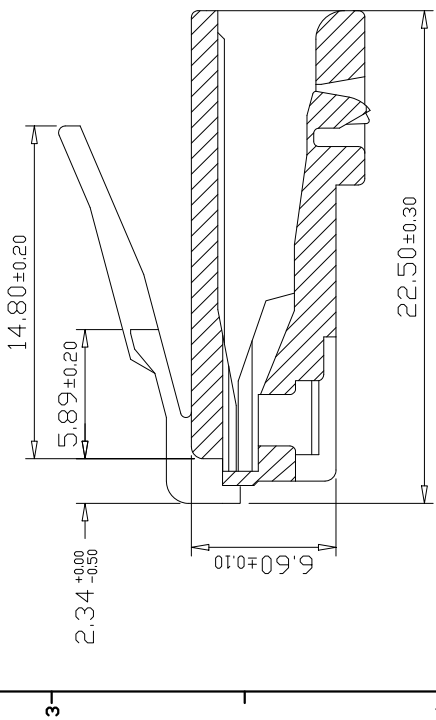
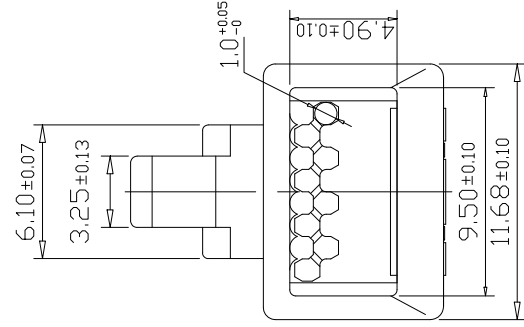


* SUBJECT TO CHANGE WITHOUT NOTICE

REV.	DESCRIPTION	APPL. BY	DATE	ECN NO.
A	RELEASE	KUNG	22/12/08*	
B				
C				



3 prong for solid/stranded wire



MATERIAL & FINISH

Housing: PC, UL94V-2, transparent
 Contact: Phosphor Bronze
 Gold plated: 06µ"

SPECIFICATION

Voltage Rating: 125 volts AC, at 1.5 amps.
 Dielectric Withstanding Voltage: 1000 volts AC.
 Insulation Resistance: 500 megohms. min.
 Termination Resistance: 30 milliohms max
 Durability: 750 cycles.
 Temperature: -40°C to +80°C
 Available for 24 or 26 AWG wire.

Unit: m/m

Tol: ±0.15 unless otherwise stated

DRAW	HULK	APPVL	KUNG	UNIT	m ^m	TOLERANCE	ANGULA ±1°	SHEET	1
CHECK				SCALE	1:1	±0.20 ±0.10 ±0.05 ±0.03 ±0.02			
			TITLE	PART NO.	DWG NO.	JKL TECHNOLOGY CO., LTD.		VERSION	
			CAT.6 UTP RJ45 PLUG , 3 PRONG , 6u"	PK-7711-8806	J104E2-23B			A	