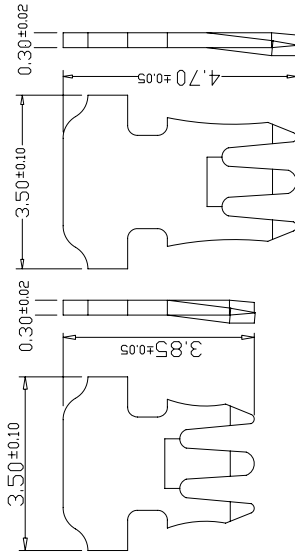
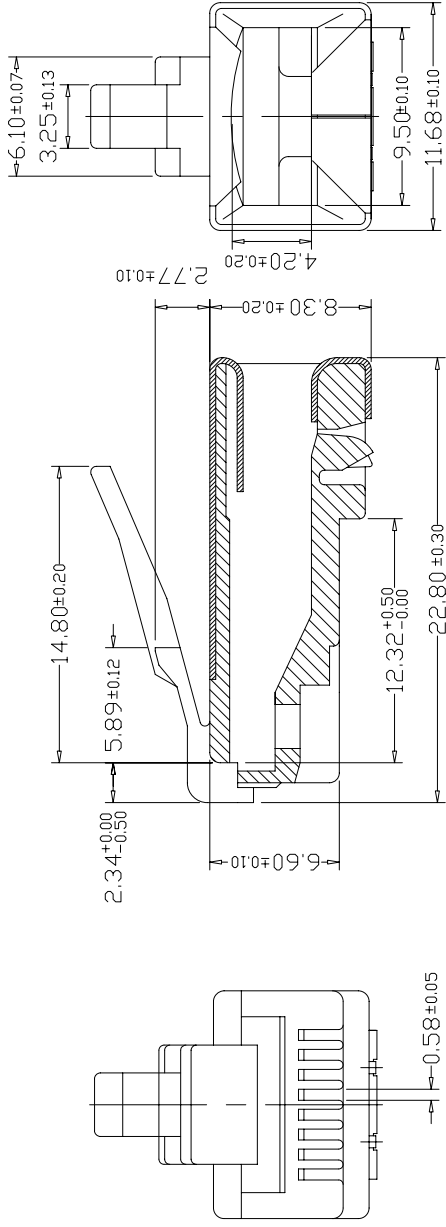
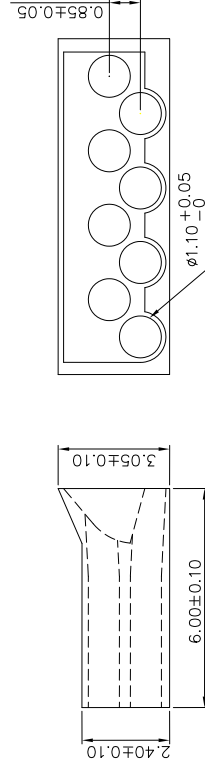
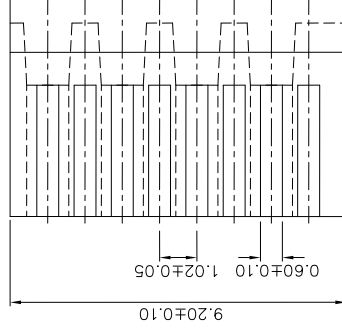




REV.	DESCRIPTION	APPROVED BY	DATE	ECN NO.
A				
B				
C				



“ 3 ” : 3 PRONGS FOR SOLID WIRE(S)



DRAWN	NEIL	KUNG	UNIT	mm	TOLERANCE	x ±0.20 .xx ±0.10 .xxx ±0.05 .xxxx ±0.03 ANGULA ±1°			TITLE	CAT. 6 8P8C 50u" PLUG SHIELDED FOR SOLID WITH INSERT	SHEET	1
	CHK'D								TIM	APP'D		PART NO.

JKL TECHNOLOGY CO., LTD.