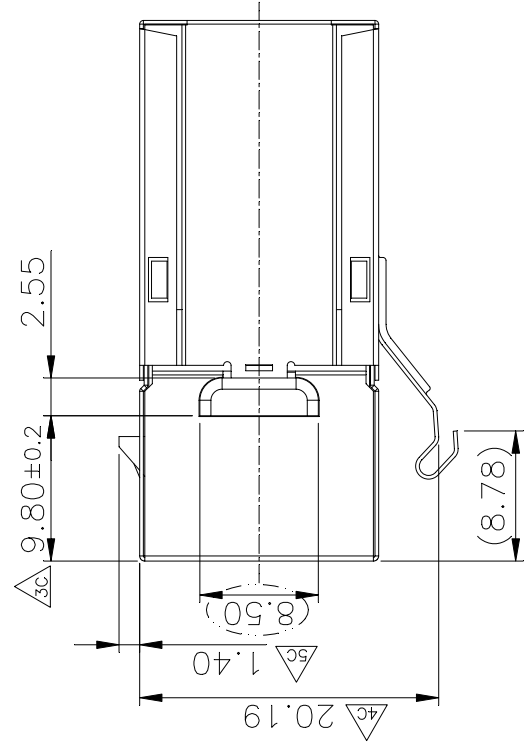
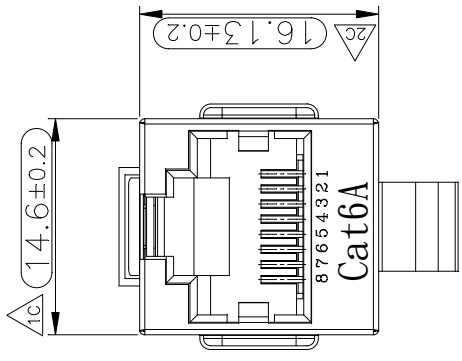


Front Panel Jack Only Clearance  
W/O Latch Feature

Single Panel-Latch Clearance  
Panel Thickness 0.062 inch



**MATERIALS:**

SHIELD: STAINLESS STEEL.

PLASTIC HOUSING: ENGINEERING THERMOPLASTIC  
FLAMMABILITY RATING UL 94V-0.  
COLOUR: BLACK.

PLASTIC INSERT: ENGINEERING THERMOPLASTIC  
FLAMMABILITY RATING UL 94V-0.  
COLOUR: WHITE

CONTACTS: PHOSPHOR BRONZE.

PLATING: GOLD(30u") PLATING OVER NICKEL IN CONTACT.

DRAWN	KU	APPD	KUNG		UNIT	MM	TOLERANCE		JKL TECHNOLOGY CO., LTD.	TITLE	CAT.6A SHIELDED INLINE COUPLER 90°	SHEET	1
CHK'D				SCALE	1:1	XXX ±0.10 XX ±0.25 X ±0.38 ±0.50 ANG ±3°	PART NO.			3107-88S90-10G	DWG NO.	3107100304	VERSION