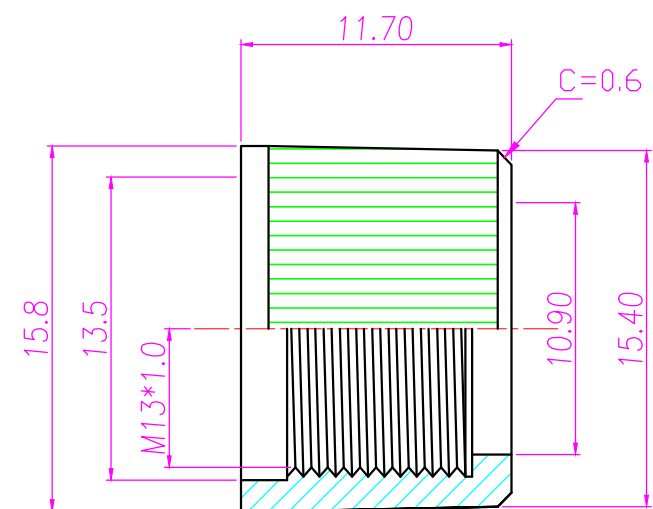
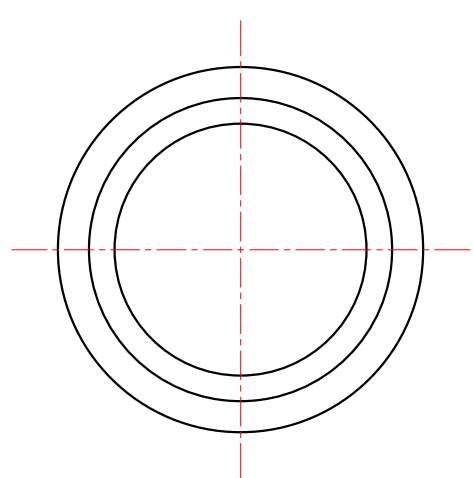
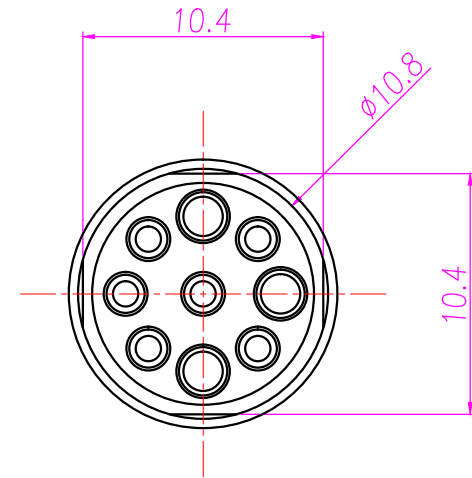
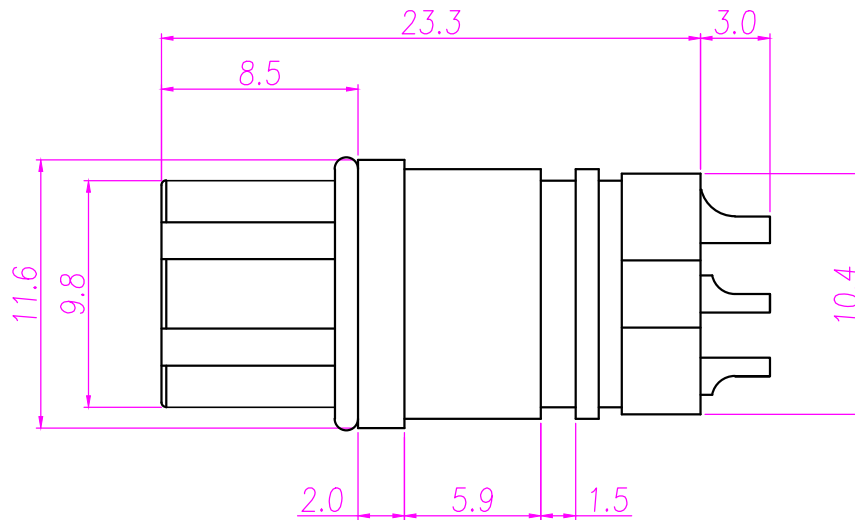
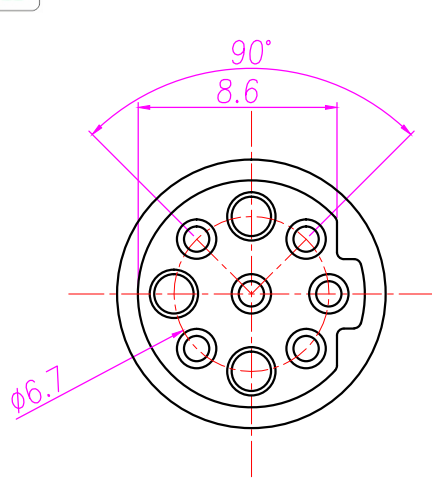




REV.	DESCRIPTION	APPROVED BY	DATE	ECN NO.
A	RELEASE	ku	14/09/12	
B				
C				



- MATERIAL :
 - HOUSING : PA66 ; COLOR : BLACK
 - CONTACT : BRASS.
 - NUT : PA66 ; COLOR : BLACK
 - O-RING : SILICONE
- FINISH :
 - CONTACT : NICKEL PLATED.
- ELECTRICAL SPECIFICATION :
 - Rated current : 9A & 3A
 - Rated Voltage : 125V
 - Water proof: IPX7
- Environmental :
 - Operation Temperature : -20℃~85℃

DRAWN	Ku Chou	APP'D	KUNG	UNIT	mm	TOLERANCE		JKL TECHNOLOGY CO., LTD.	TITLE	M13 9 PIN (3+6) FEMALE WATERPROOF CONNECTOR FOR CABLE			SHEET	
CHK'D	Emily Suen			SCALE	1:1	.x ±0.20 .xx ±0.10 .xxx ±0.05 .xxxx ±0.01 ANGULA ±1°			PART NO.	WP-09F2-02	DWG NO.	QC5884	VERSION	