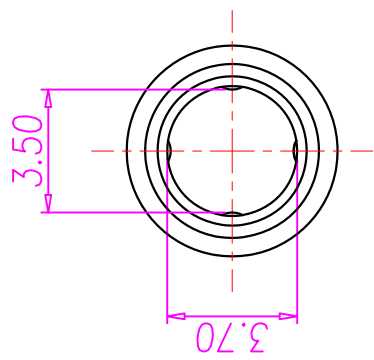
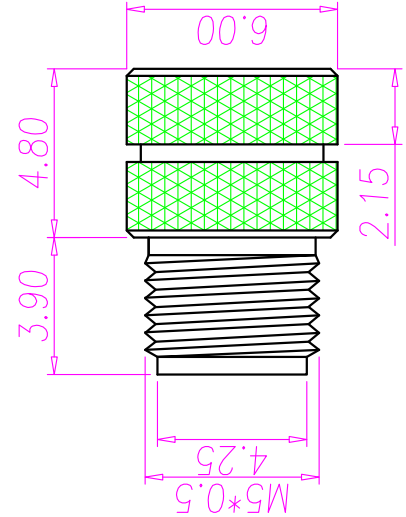
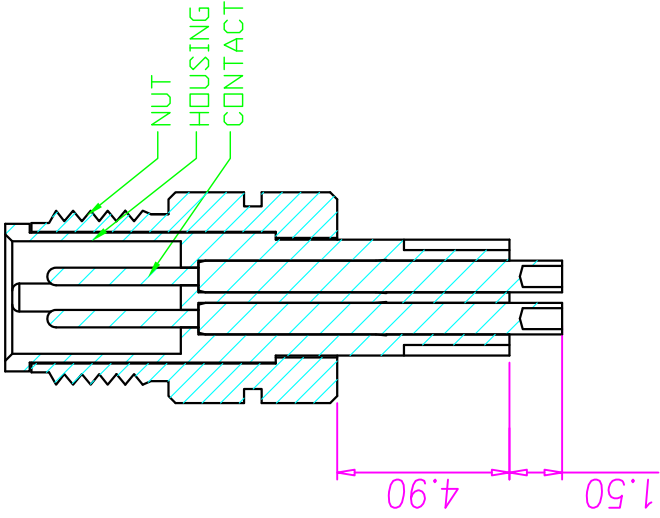
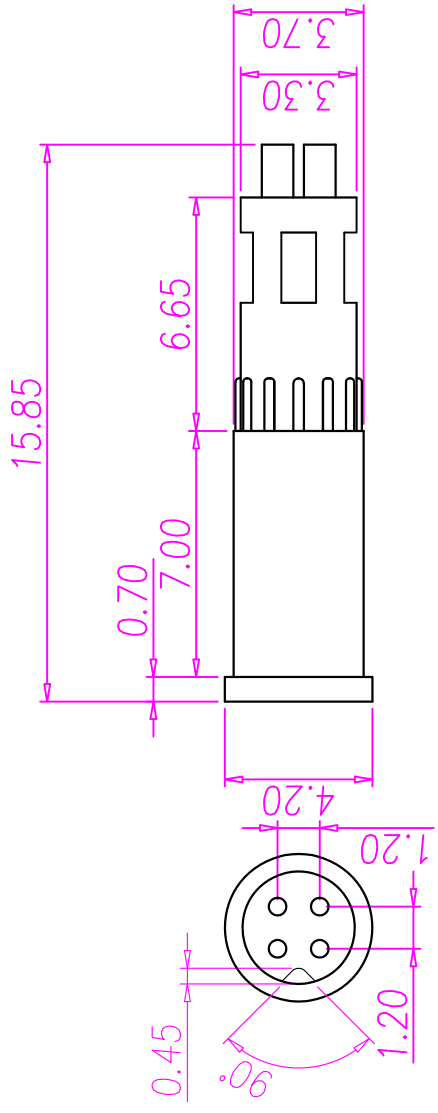


REV.	DESCRIPTION	APPROVED BY	DATE	ECN NO.
A	RELEASE	KUNG	25/10/10"	
B				
C				

DRAWN	KU	APP'D	KUNG	UNIT	mm	TOLERANCE	.x ±0.20 .xx ±0.10 .xxx ±0.05 .xxxx ±0.03 ANGULA ±1°
CHK'D				SCALE	1:1		

PART NO.	WP-04M2-38	DWG NO.	
TITLE	M5 4PIN MALE FOR CABLE		

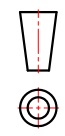
SHEET	1
VERSION	A



NUT

1. MATERIAL :
 1-1. HOUSING : TPU ; COLOR : BLACK
 1-2. CONTACT : BRASS
 1-3. NUT : BRASS
2. FINISH :
 2-1. CONTACT : GOLD FLISH MICRO INCHES MIN.
 2-2. NUT : NICKEL PLATED 60u" ~ 100u" OVER ALL
3. ELECTRICAL SPECIFICATION :
 3-1. Rated current :
 3-2. Rated oltage :
 3-3. Water proof: IP67
4. Environmental :
 4-1. Operation Temperature : -20 ℃~85℃

DRAWN	KU	APP'D	KUNG	UNIT	mm	TOLERANCE	.x ±0.20 .xx ±0.10 .xxx ±0.05 .xxxx ±0.03 ANGULA ±1°
CHK'D				SCALE	1:1		
PART NO.		WP-04M2-38		DWG NO.			
TITLE		M5 4PIN MALE FOR CABLE					



JKL TECHNOLOGY CO., LTD.