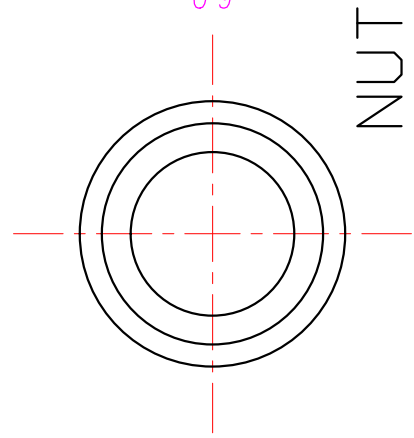
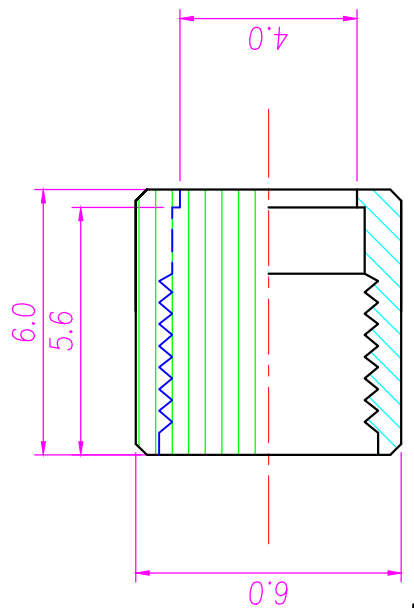
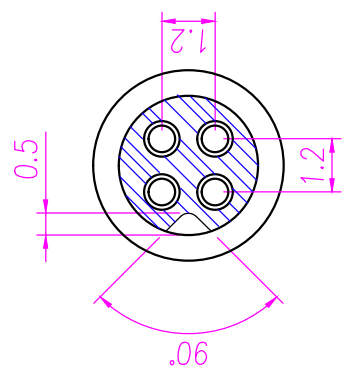
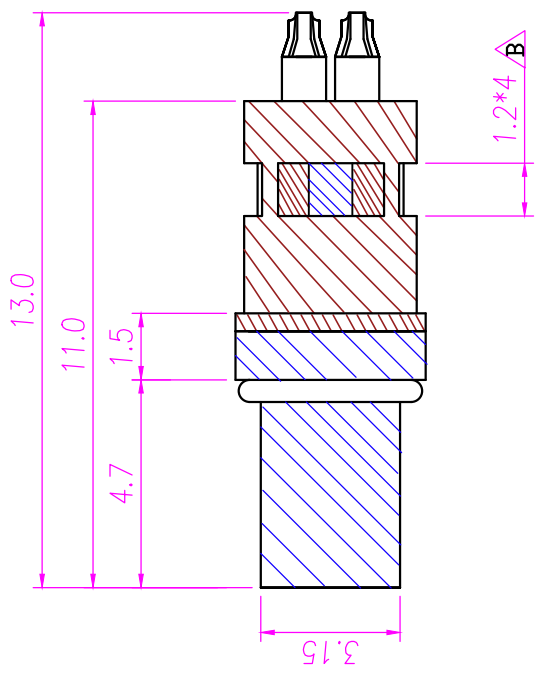
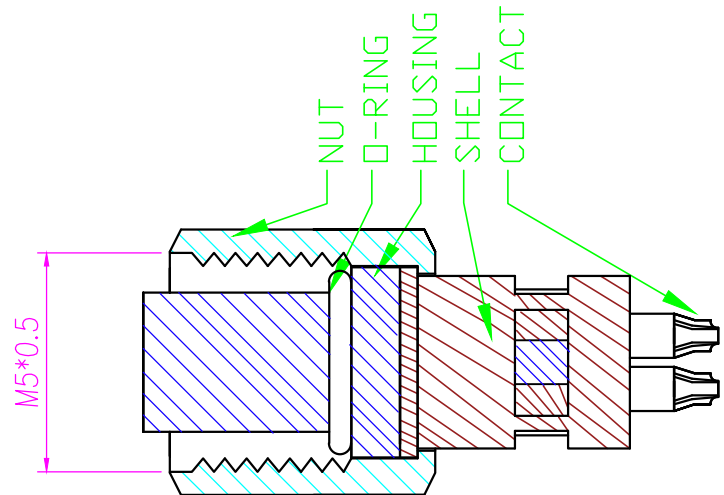


REV.	DESCRIPTION	APPROVED BY	DATE	ECN NO.
A				
B				
C				



- MATERIAL :
 - HOUSING : TPU ; COLOR : BLACK
 - CONTACT : PHOSPHOR BRONZE
 - NUT : BRASS
 - O-RING : NBR ; COLOR : BLACK
 - SHELL : BRASS.
- FINISH :
 - CONTACT : GOLD FLISH MICRO INCHES MIN.
 - NUT : SATING NI PLATED.
 - SHELL : BRIGHT TIN PLATED .
- ELECTRICAL SPECIFICATION :
 - Rated current : 1A
 - Rated Voltage : 60V
 - Water proof : IP67
- Environmental :
 - Operation Temperature : -20 ℃~85℃

DRAWN	NEIL	APP'D	KUNG	UNIT	mm	TOLERANCE	x ±0.20 .xx ±0.10 .xxx ±0.05 .xxxx ±0.03 ANGULA ±1°		JKL TECHNOLOGY CO., LTD.		TITLE	M5 4P FEMALE SHIELDED WATERPROOF CONNECTOR	SHEET	1
	CHK'D								TIM	SCALE	1:1	PART NO.	WP-04F2-56	DWG.