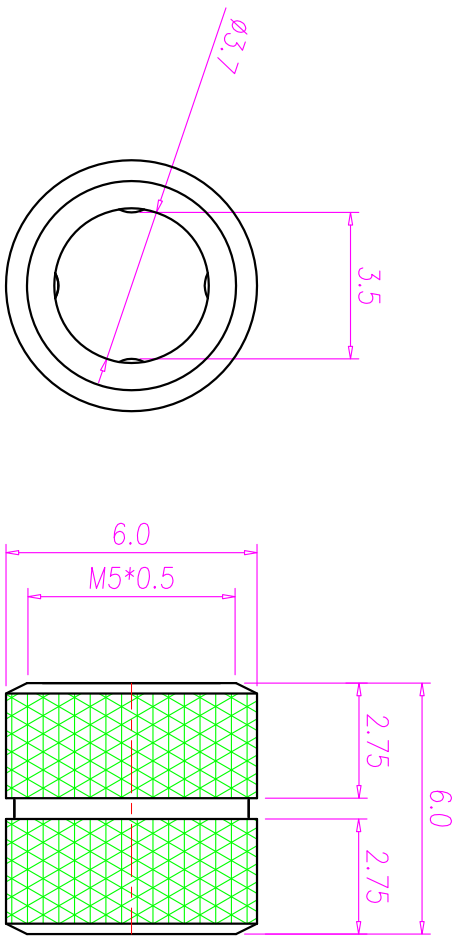
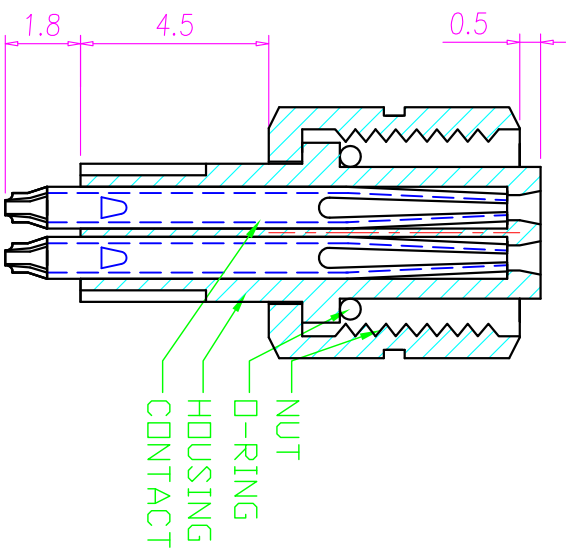
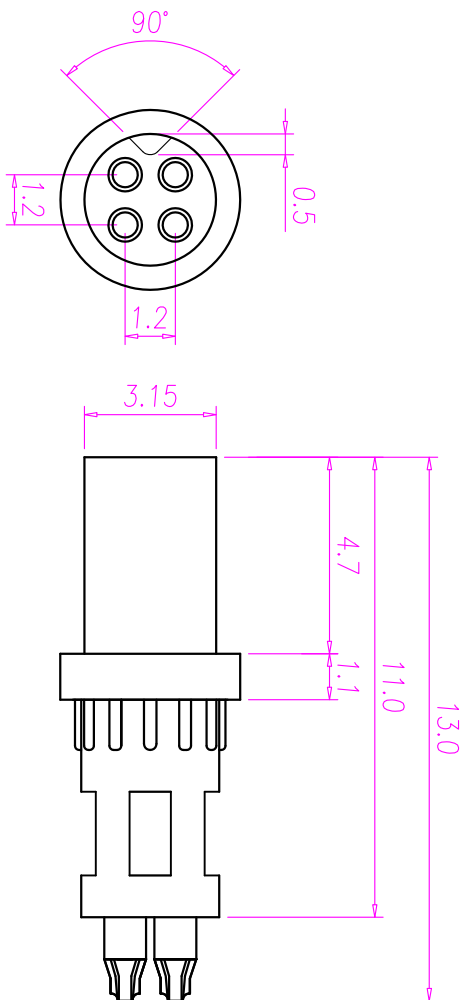




CUSTOMER DRAWING

REV.	DESCRIPTION	APPROVED BY	DATE	ECN NO.
A	RELEASE	KUNG	28/12/09*	
B				
C				



NUT

1. MATERIAL :
  - 1-1. HOUSING : TPU ; COLOR : BLACK
  - 1-2. CONTACT : PHOSPHOR BRONZE
  - 1-3. NUT : BRASS
  - 1-4. O-RING : NBR ; COLOR : BLACK
2. FINISH :
  - 2-1. CONTACT : GOLD FLUSH MICRO INCHES MIN.
  - 2-2. NUT : Satin Nickel PLATED.
3. ELECTRICAL SPECIFICATION :
  - 3-1. Rated current : 1A
  - 3-2. Rated Voltage : 60V
  - 3-3. Water proof: IP67
4. Environmental :
  - 4-1. Operation Temperature : -20 to 85°C

DRAWN		Ku Chou		APP'D		KUNG		TOLERANCE		JKL TECHNOLOGY CO., LTD.		TITLE		SHEET		
CHK'D	Emily Suen					SCALE	UNIT	mm	±0.20	±0.10	±0.05	±0.03	±1°	M5 4PIN FEMALE WATERPROOF CONNECTOR FOR CABLE.		VERSION
						1:1			ANGULA				PART NO.	DWG NO.	QC4584	A