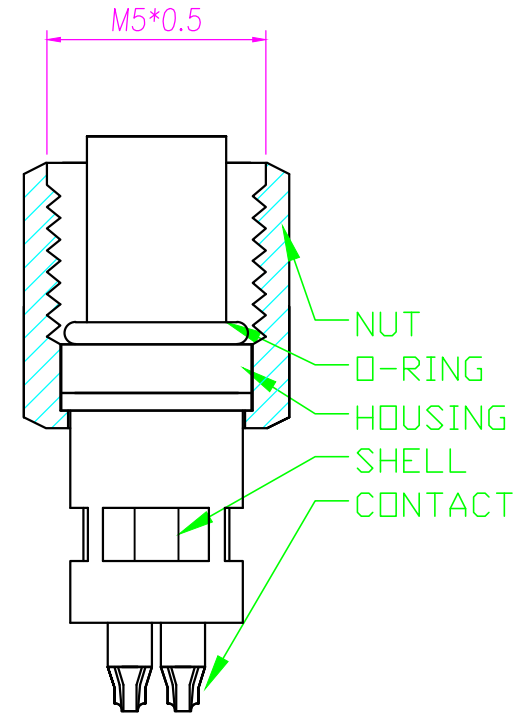
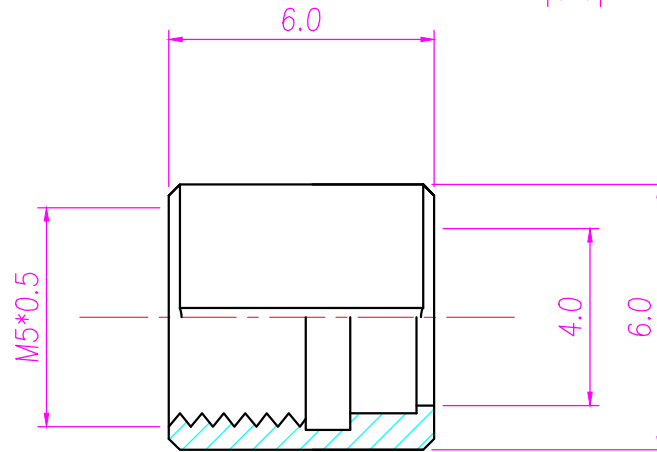
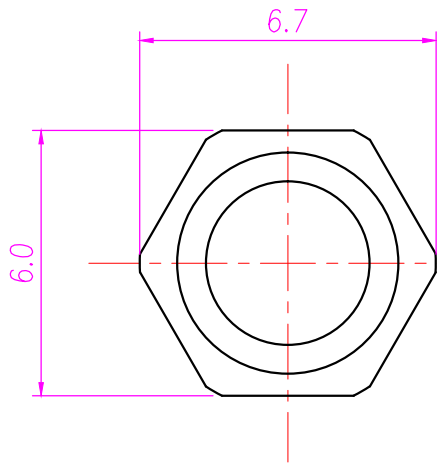
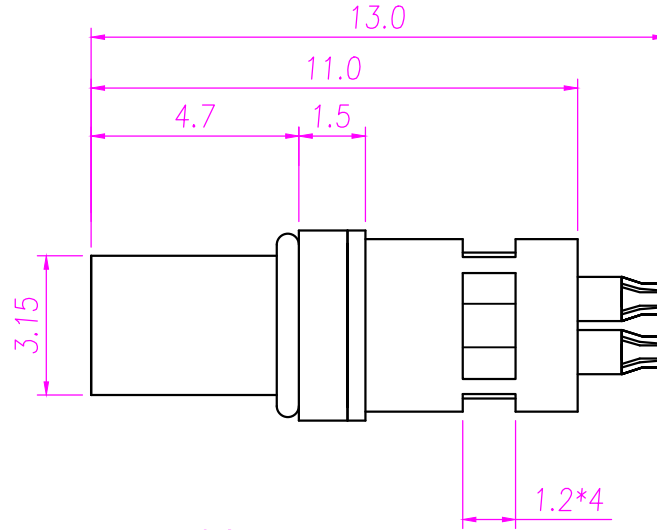
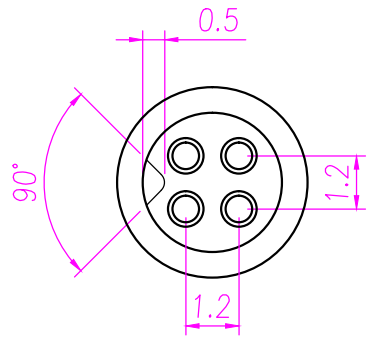




REV.	DESCRIPTION	APPROVED BY	DATE	ECN NO.
A	RELEASE	KUNG	09/02/15'	
B				
C				



1. MATERIAL :
  - 1-1. HOUSING : TPU ; COLOR : BLACK
  - 1-2. CONTACT : PHOSPHOR BRONZE
  - 1-3. NUT : BRASS
  - 1-4. O-RING : NBR ; COLOR : BLACK
  - 1-5. SHELL : BRASS.
2. FINISH :
  - 2-1. CONTACT : GOLD FLISH MICRO INCHES MIN.
  - 2-2. NUT : SATING Ni PLATED.
  - 2-3. SHELL : BRIGHT TIN PLATED .
3. ELECTRICAL SPECIFICATION :
  - 3-1. Rated current : 1A
  - 3-2. Rated Voltage : 60V
  - 3-3. Water proof : IP67
4. Environmental :
  - 4-1. Operation Temperature : -20 ℃~85℃

DRAWN	Ku Chou	APP'D	KUNG	UNIT	mm	TOLERANCE		JKL TECHNOLOGY CO., LTD.	TITLE	M5 4P (F) FOR CABLE , WITH HEX NUT.		SHEET	
CHK'D	Emily Suen			SCALE	1:1	.x ±0.20 .xx ±0.10 .xxx ±0.05 .xxxx ±0.03 ANGULA ±1°			PART NO.	WP-04F2-126-11	DWG NO.	N-15025	