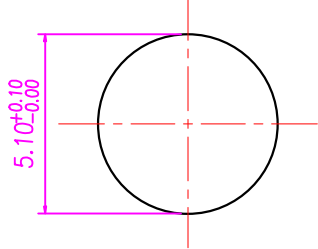
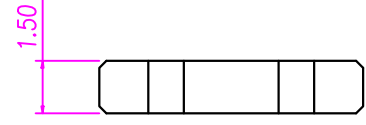
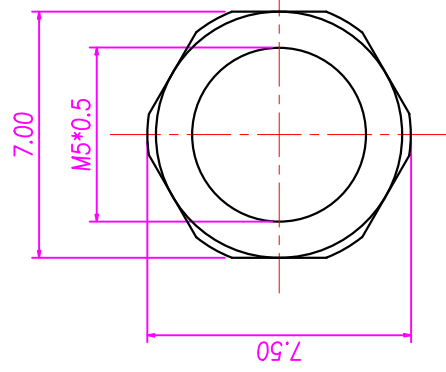
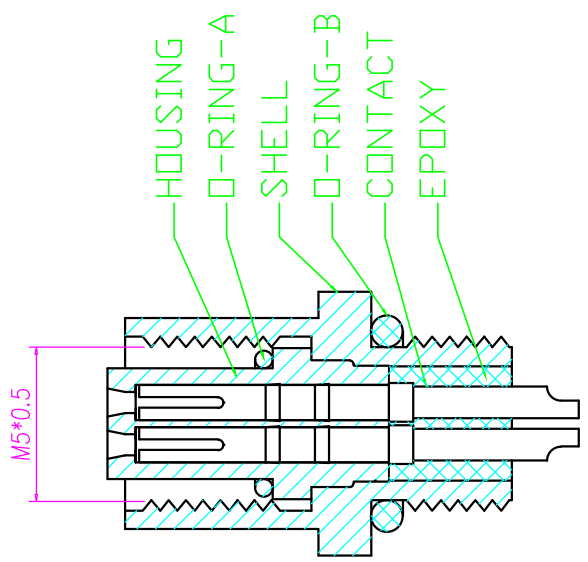
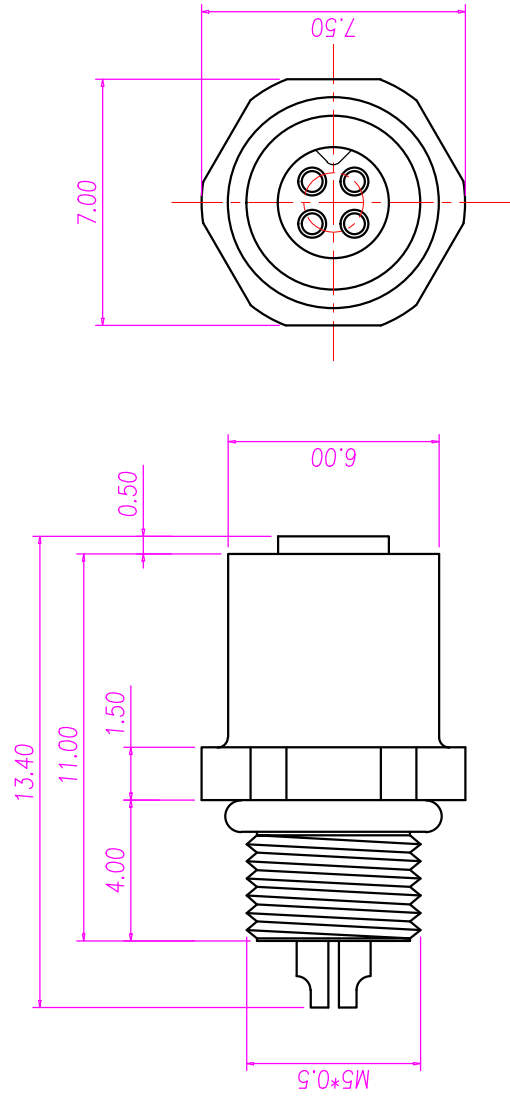


REV.	DESCRIPTION	APPROVED BY	DATE	ECN NO.
A				
B				
C				



RECOMMEND PANEL CUT-OUT

- MATERIAL :
  - HOUSING : PBT UL94V-0; COLOR : BLACK
  - CONTACT : BRASS.
  - NUT : BRASS
  - SHELL : BRASS
  - O-RING : NBR ; COLOR : BLACK
  - EPOXY BASE : EF400A & EF400B. COLOR : BLACK
- FINISH :
  - CONTACT : GOLD FLISH MICRO INCHES MIN.
  - NUT : NICKEL PLATED.
  - SHELL : NICKEL PLATED.
- ELECTRICAL SPECIFICATION :
  - Rated current : 1A
  - Rated Voltage : 60V
  - Water proof: IP67
- Environmental :
  - Operation Temperature : -20 ℃~85℃

DRAWN	N E L	APP'D	K U N G	UNIT	m <sup>m</sup>	TOLERANCE	JKL TECHNOLOGY CO., LTD.	TITLE	M5 FEMALE 4P REAR PANEL MOUNT, SOLDER TYPE	SHEET	1
CHK'D	T M			SCALE	1:1	±0.20 ±0.10 ±0.05 ±0.03 ±0.02 ANGULA ±1°		PART NO.	WP-04F2-58	VERSION	A
								DWG.	N-10076-QC4852		