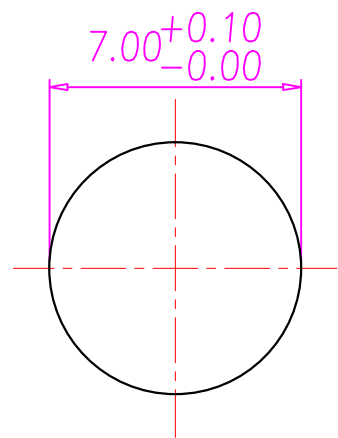
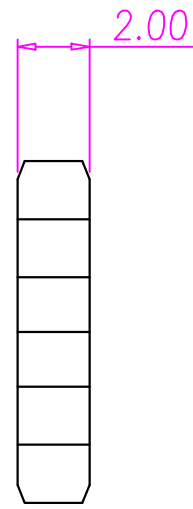
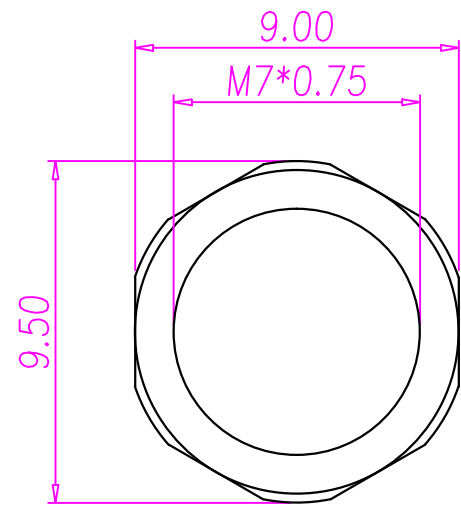
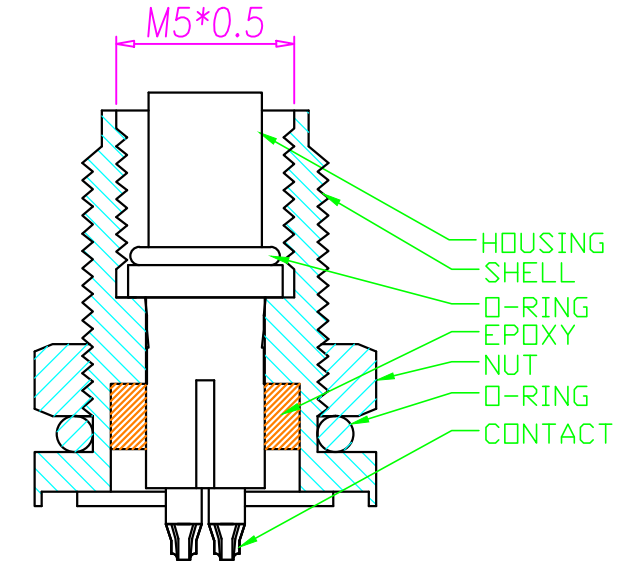
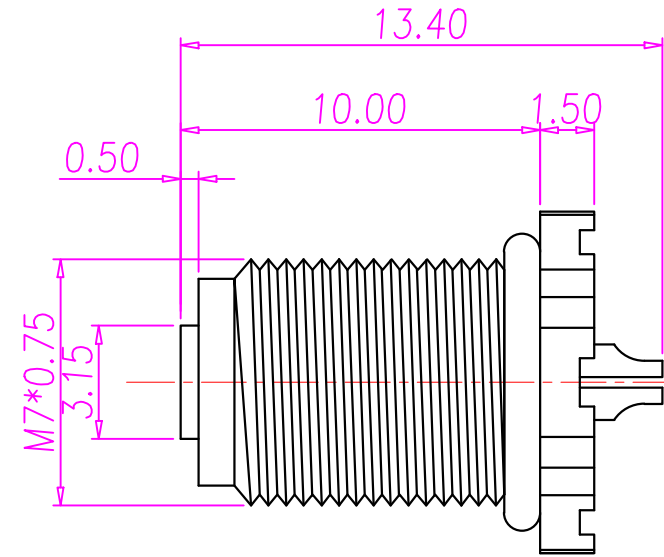
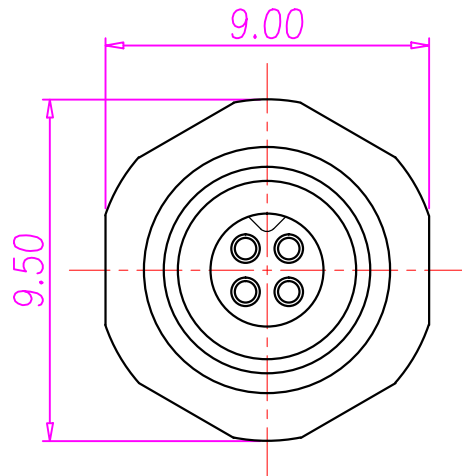




REV.	DESCRIPTION	APPROVED BY	DATE	ECN NO.
A	RELEASE	Fido Weng	01/07/13'	
B				
C				



NUT

RECOMMEND PANEL CUT-OUT

- MATERIAL :
  - 1-1. HOUSING : PBT UL94V-0 ; COLOR : BLACK.
  - 1-2. CONTACT : BRASS.
  - 1-3. NUT : BRASS
  - 1-4. SHELL : BRASS
  - 1-5. O-RING : NBR ; COLOR : BLACK.
  - 1-6. EPOXY BASE : EF400A&EF400B.COLOR:BLACK
- FINISH :
  - 2-1. CONTACT : GOLD FLISH MICRO INCHES MIN.
  - 2-2. NUT : NICKEL PLATED.
  - 2-3. SHELL : NICKEL PLATED.
- ELECTRICAL SPECIFICATION :
  - 3-1. Rated current : 1A.
  - 3-2. Rated oltage : 60V
  - 3-3. Water proof : IP67
- Environmental :
  - 4-1. Operation Temperature : -20 ℃~85℃

DRAWN	KU	APP'D	KUNG	UNIT	mm	TOLERANCE		JKL TECHNOLOGY CO., LTD.	TITLE	M5 4PIN (F) FRONT PANEL MOUNT , SOLDER PIN.			SHEET
CHK'D				SCALE	1:1	.x ±0.20 .xx ±0.10 .xxx ±0.05 .xxxx ±0.03 ANGULA ±1°			PART NO.	WP-04F2-107-11	DWG NO.	QC6241	VERSION