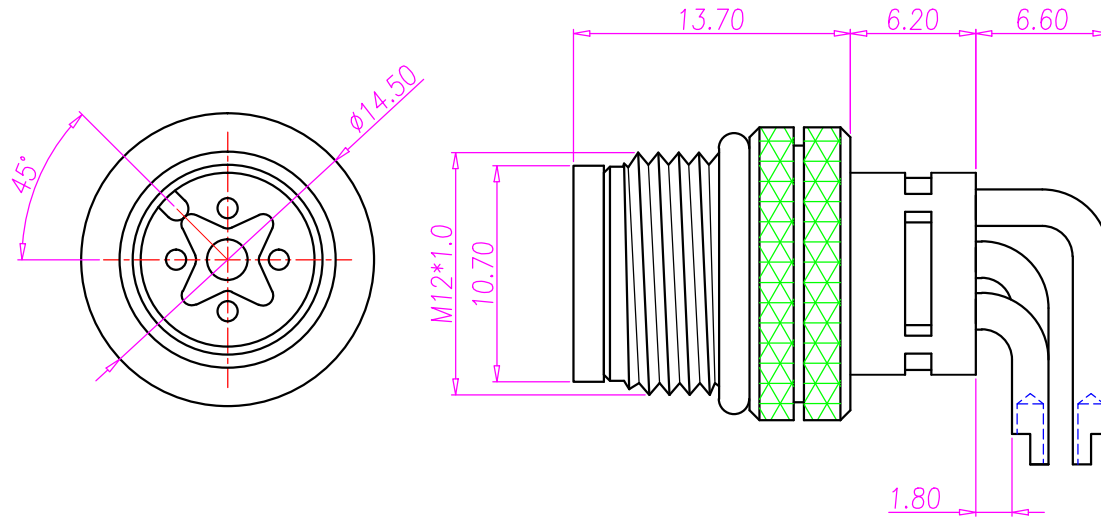




* SUBJECT TO CHANGE WITHOUT NOTICE

REV.	DESCRIPTION	APPROVED BY	DATE	ECN NO.
A	RELEASE	KUNG	18/03/15'	
B				
C				



1. MATERIAL :
 - 1-1. HOUSING: PBT UL94V-0; COLOR: BLACK.
 - 1-2. CONTACT: BRASS
 - 1-3. NUT: BRASS
 - 1-4. SHELL : BRASS
2. FINISH :
 - 2-1. CONTACT : 10 MICRO INCHES MIN. GOLD PLATED
UNDER PLATE : NICKEL
 - 2-2. NUT : NICKEL PLATED.
 - 2-3. SHELL : NICKEL PLATED.
3. ELECTRICAL SPECIFICATION :
 - 3-1. Rated current : 5A
 - 3-2. Rated Voltage :125V
 - 3-3. Water proof : IPX7
4. Environmental :
 - 4-1. Operation Temperature : -20 ℃~85℃

DRAWN	Ku Chou	APP'D	KUNG	UNIT	mm		TOLERANCE	JKL TECHNOLOGY CO., LTD.	TITLE	M12 4P (M) SHIELDED RIGHT ANGLE WATERPROOF CONNECTOR.		SHEET	1
CHK'D	Emily Suen			SCALE	1:1		.x ±0.20 .xx ±0.10 .xxx ±0.05 .xxxx ±0.03 ANGULA ±1°		PART NO.	N-15022-1	DWG NO.		VERSION