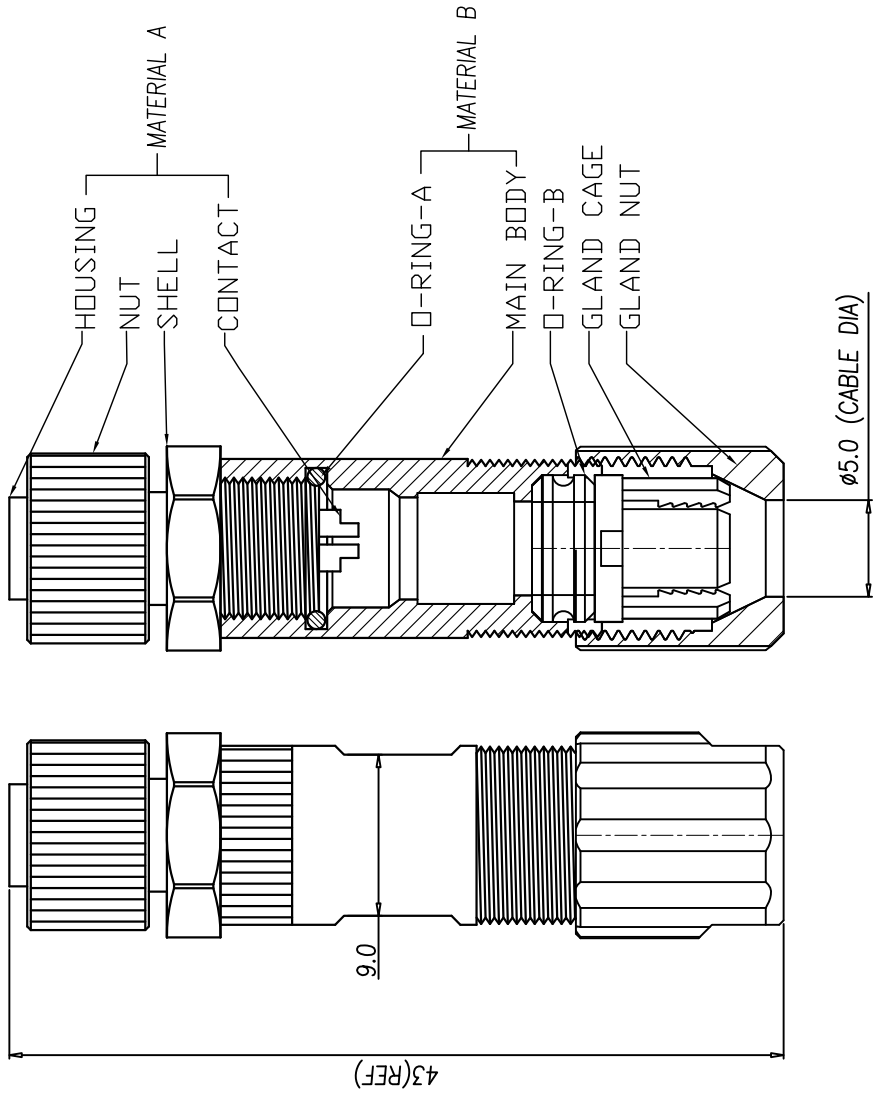
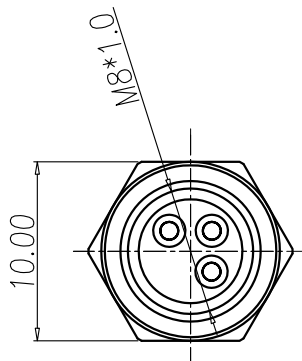


REV.	DESCRIPTION	APPL. BY	DATE	ECN NO.
A	RELEASE	KUNG	2017.02.08	
B				
C				



1. MATERIAL :
  - 1-1. MATERIAL A
    - a. HOUSING : PBT UL94V-0 ; COLOR : BLACK.
    - b. CONTACT : BRASS
    - c. NUT : ALUMINIUM ALLOY
    - d. SHELL : ALUMINIUM ALLOY
  - 1-2. MATERIAL B
    - a. MAIN BODY : ALUMINIUM ALLOY
    - b. O-RING A : EPDM ; COLOR : BLACK
  - 1-3. O-RING B : NBR COLOR : BLACK.
  - 1-4. GLAND CAGE : PA66 ; COLOR : WHITE.
  - 1-5. GLAND NUT : PPS ; COLOR : BROWN.
2. FINISH :
  - 2-1. MATERIAL A
    - a. CONTACT : GOLD FLASH MICRO INCHES MIN. UNDER PLATE : NICKEL.
    - b. NUT : NICKEL PLATED.
    - c. SHELL : NICKEL PLATED.
  - 2-2. MAIN BODY : NICKEL PLATED.
3. ELECTRICAL SPECIFICATION :
  - 3-1. Rated current : 3A
  - 3-2. Rated voltage : 3PIN 60V ; 4PIN 30V
  - 3-3. Water proof : IPX7
4. Environmental :
  - 4-1. Operation Temperature : -20°C~85°C



DRAW	Ku Chou	APPVL	KUNG	TITLE	M8 3PIN FEMALE WATERPROOF CABLE ASSEMBLY TYPE.	SHEET	1
CHECK	Enly Suen	UNIT	MM	PART NO.	WP-03F2-84-11	VERSION	A
		SCALE	1:1	DWG NO.	QC8041		