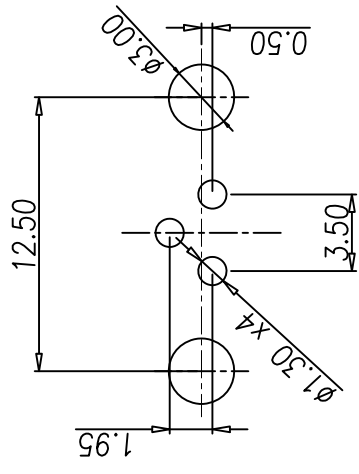
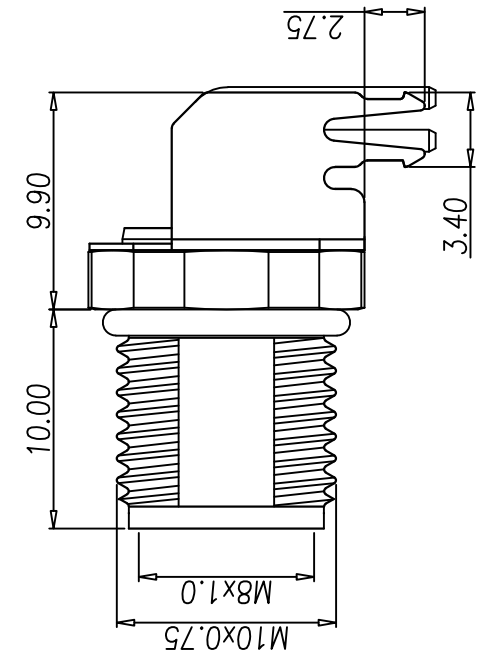
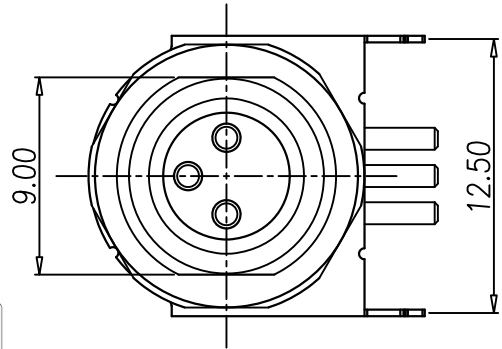
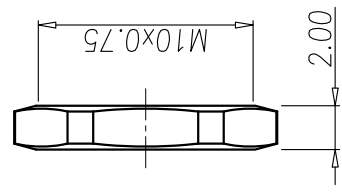
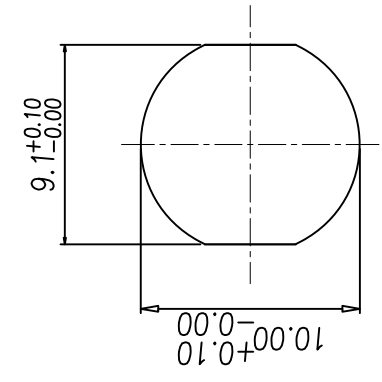


REV.	DESCRIPTION	APPROVED BY	DATE	ECN NO.
A	RELEASE	Filo Weng	22/12/08*	
B				
C				



P.C.B LAYOUT

- MATERIAL :
 - HOUSING : PBT UL94V-0 ; COLOR : BLACK
 - CONTACT : BRASS.
 - NUT : BRASS.
 - SHELL : BRASS.
 - O-RING : NBR
 - GROUND : PHOSPHOR BRONZE
- FINISH :
 - CONTACT : 10 MICRO INCHES MIN. GOLD PLATED UNDER PLATE : NICKEL
 - NUT : NICKEL PLATED
 - SHELL : NICKEL PLATED
 - GROUND : BIRGHT TIN PLATED



NUT

RECOMMENDPANEL CUT-OUT

- ELECTRICAL SPECIFICATION :
 - Rated current : 4A
 - Rated Voltage : 30V
 - Water proof: IP67 When Un-mated
- Environmental :
 - Operation Temperature : -40c~85c

DRAWN	Yeh Chou	KUNG	UNIT	TOLERANCE	X ±0.20 .XX ±0.10 .XXX ±0.05 .XXXX ±0.03 ANGULA ±*			JKL TECHNOLOGY CO., LTD.	TITLE	M8 3PIN (F) RIGHT ANGLE FRONT PANEL MOUNT	SHEET
	CHK'D								Emily Suen		
			SCALE						WP-03F3-01-11	QC8221	A