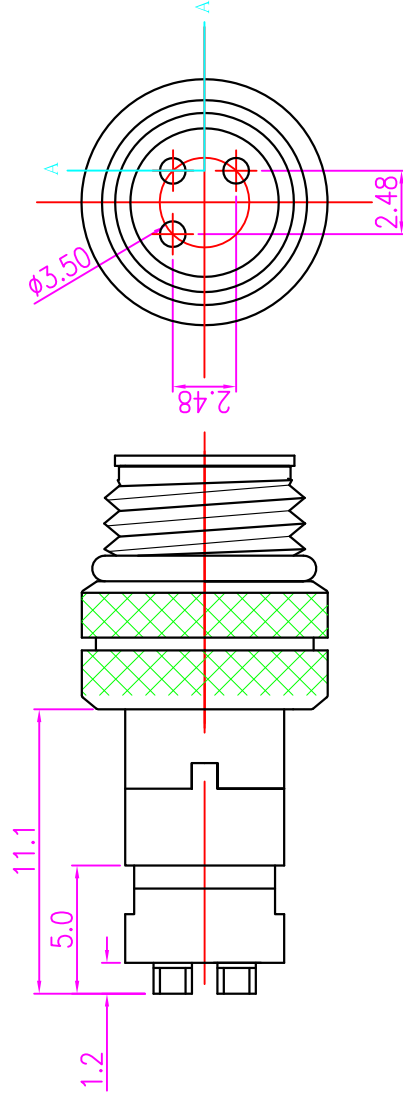
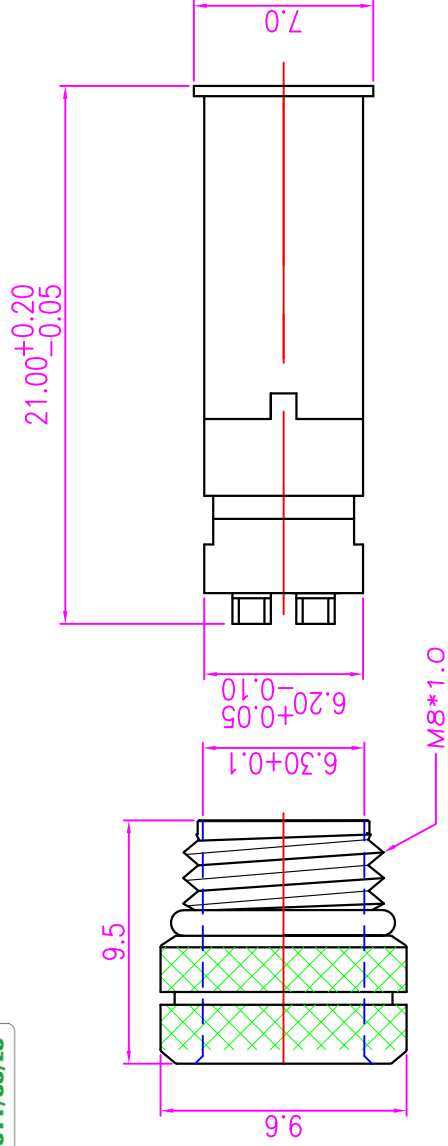
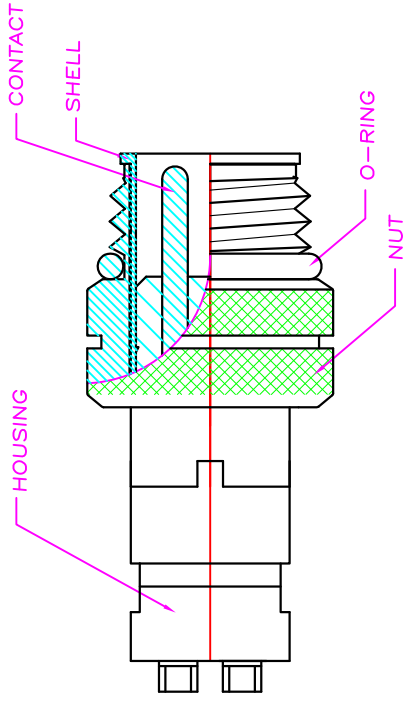




* SUBJECT TO CHANGE WITHOUT NOTICE



SECTION AA



NOTE:

- MATERIAL :
 - HOUSING : PBT UL94V-0 ; COLOR : BLACK
 - CONTACT : COPPER ALLOY
 - SHELL : COPPER ALLOY
 - NUT : COPPER ALLOY
 - O-RING : NBR ; COLOR : BLACK
- FINISH :
 - CONTACT : 10 MICRO INCHES MIN. GOLD PLATING OVER NICKEL
 - SHELL : NICKEL PLATED 60u" ~ 100u" OVER ALL
 - NUT : NICKEL PLATED 60u" ~ 100u" OVER ALL
- ELECTRICAL SPECIFICATION :
 - Rated current : 5A
 - Voltage : 125V
 - Water proof: IPX7
- Environmental :
 - Operation Temperature : -40 C~85C

Assembly

| | | | | |
|------|-------------|----------|-----------|---------|
| REV. | DESCRIPTION | APPL. BY | DATE | ECN NO. |
| A | RELEASE | KUNG | 22/12/08" | |
| B | | | | |
| C | | | | |

| | | | | | | | | | | | | | |
|-------|----|------|------|-------|-----|-----------|--|--|--------------------------|----------|--|---------|---|
| DRAW | KU | APPV | KUNG | UNIT | mm | TOLERANCE | \times ± 0.20 $\times \times$ ± 0.10 $\times \times \times$ ± 0.05 $\times \times \times \times$ ± 0.03 ANGULAR $\pm 1'$ | | JKL TECHNOLOGY CO., LTD. | TITLE | M8 3P (M) SHIELDED WATERPROOF CONNECTOR FOR CABLE. | SHEET | 1 |
| CHECK | | | | SCALE | 1:1 | | | | | PART NO. | WP-03M2-03 | VERSION | A |
| | | | | | | | | | | DWG NO. | QC3407 | | |