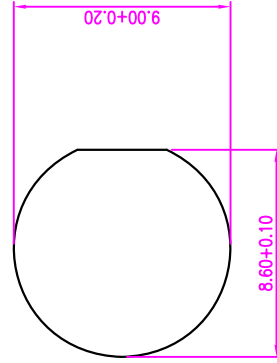
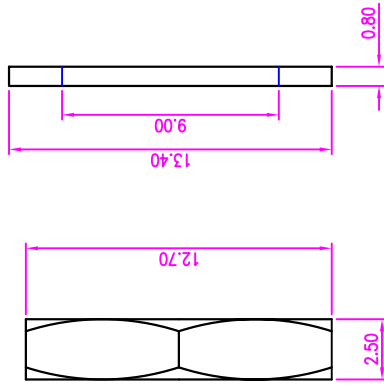
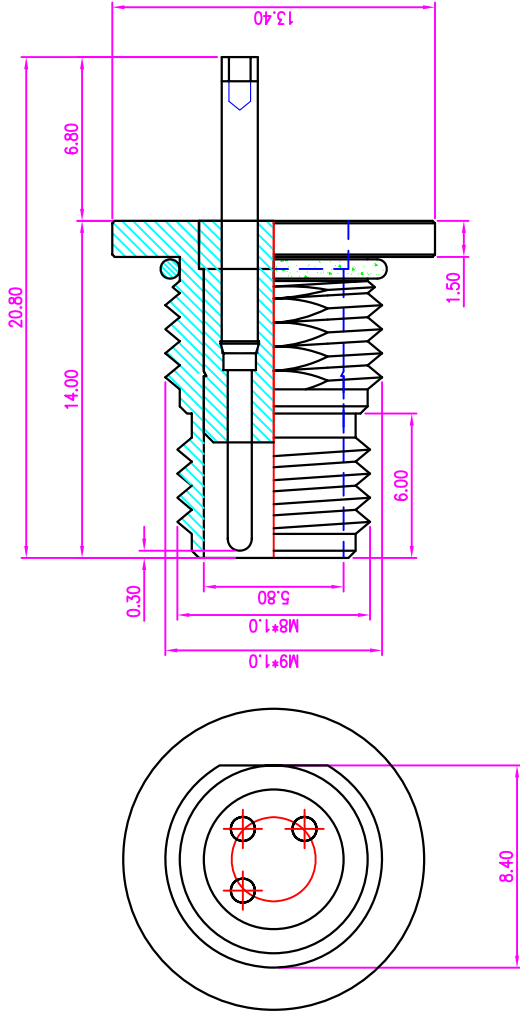


REV.	DESCRIPTION	APPROVED BY	DATE	ECN NO.
A				
B				
C				



PANEL CUT-OUT

- 1.MATERIAL INSULATION: THERMOPLASTIC UL94V-0  
 COLOR: BLACK.  
 CONTACT: BRASS  
 SHELL: BRASS  
 nut: BRASS
- 2.PLATING CONTACT: CONTACT PLATED 10u" GOLD,  
 Shell:NICKEL 60u  
 nut:NICKEL 60u"

DRAWN	NEIL	APP'D	KUNG	UNIT	TOLERANCE	ANGLE	TITLE	SHEET
CHK'D	TIM			SCALE	x +0.20 +0.10 +0.05 +0.03 +0.01	±1°	M8 3PIN MALE FRONT PANEL MOUNT.	1
				1:1			JKL TECHNOLOGY CO., LTD.	VERSION
							PART NO.	A
							DWG.	
							QC3839	