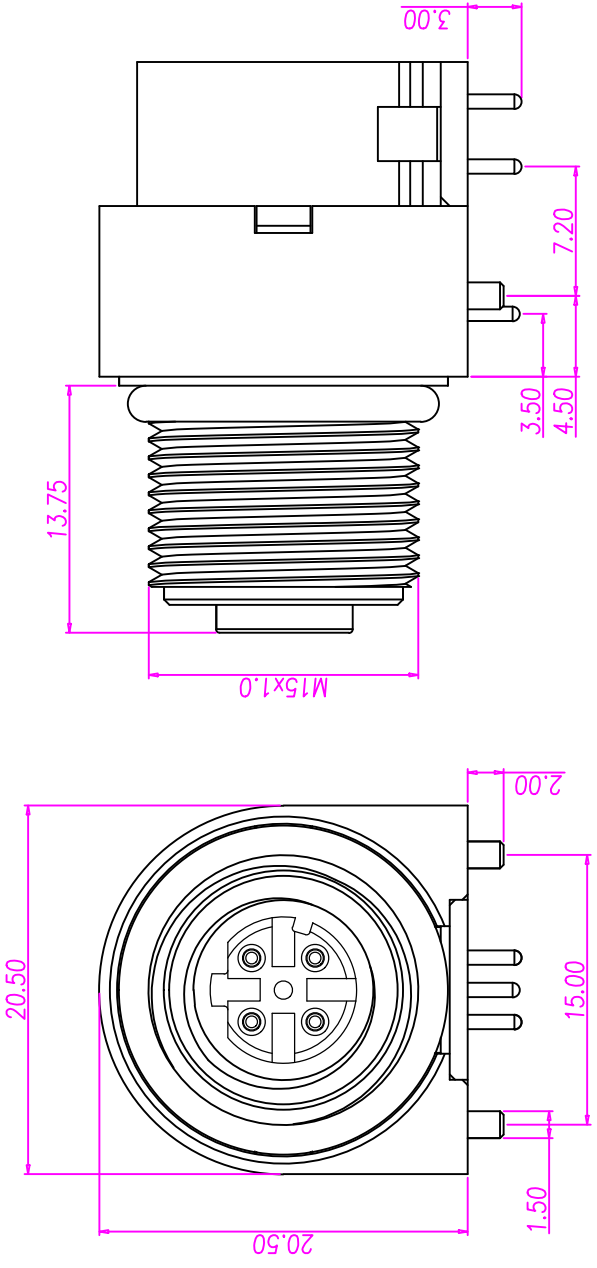
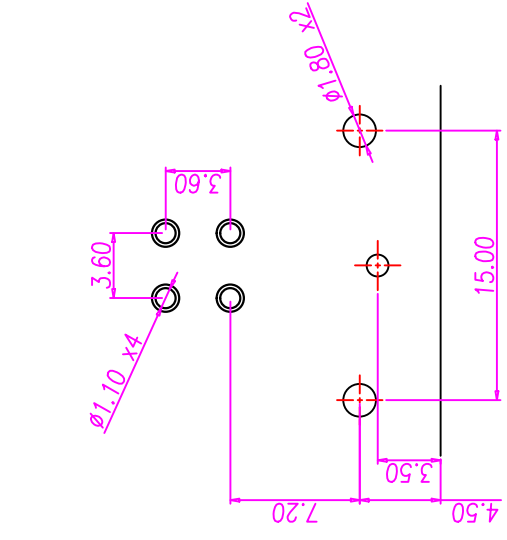
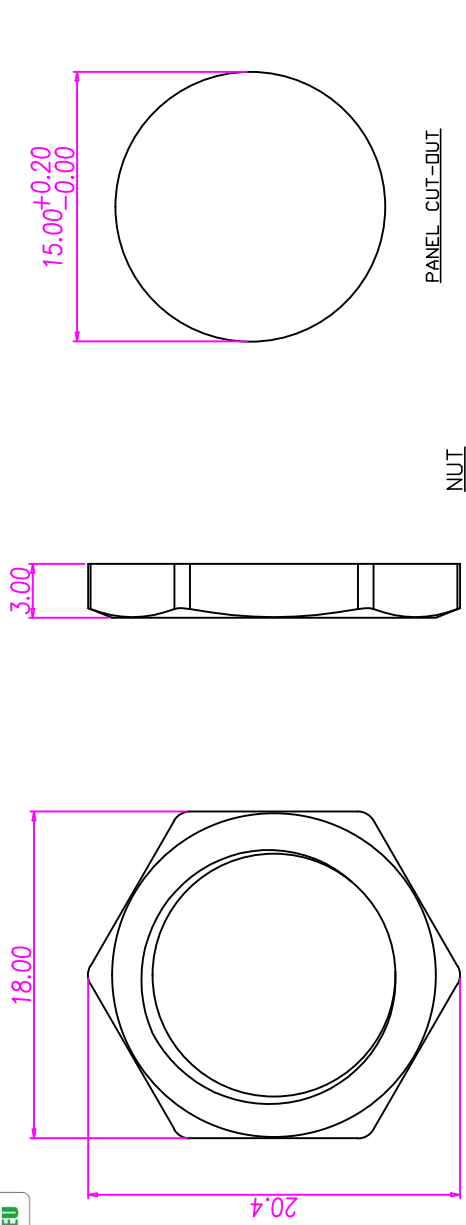


REV.	DESCRIPTION	APPROVED BY	DATE	ECN NO.
A	RELEASE	KUNG	22/12/08*	
B				
C				

DRAWN	Ku Chou	APP'D	KUNG	UNIT	mm	TOLERANCE	xx xx xxx xxx ANGULA 51*
CHK'D	Emily Suen			SCALE	1:1		



P.C.B. LAYOUT
7P

NOTE:
 1. MATERIAL :
 1-1. HOUSING : PBT UL94V-0 ; COLOR : BLACK
 1-2. CONTACT : BRASS
 1-3. NUT : BRASS
 1-4. O-RING : NBR ; COLOR : BLACK
 1-5. BACK HOUSING : PBT UL94V-0 ; COLOR : BLACK
 1-6. DOWN HOUSING : PBT UL94V-0 ; COLOR : BLACK
 2. FINISH :
 2-1. CONTACT : GOLD FLASH ON OVER ALL
 UNDER PLATE : NICKEL
 2-2. SHELL : STAIN NICKEL 80u"~100u" ON OVER ALL

DRAWN	Ku Chou	APP'D	KUNG	UNIT	mm	TOLERANCE	xx xx xxx xxx ANGULA 51*
CHK'D	Emily Suen			SCALE	1:1		
TITLE		M12 4PIN (F) RIGHT ANGLE FRONT PANEL MOUNT		PART NO.		WP-04F2-05-11	
TITLE		JKL TECHNOLOGY CO., LTD.		DWG NO.		QC6535	
SHEET		1		VERSION		A	