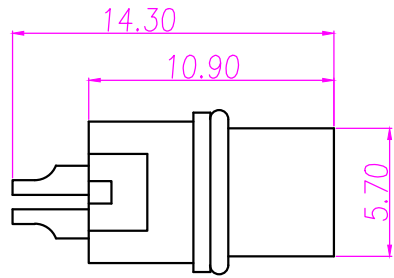
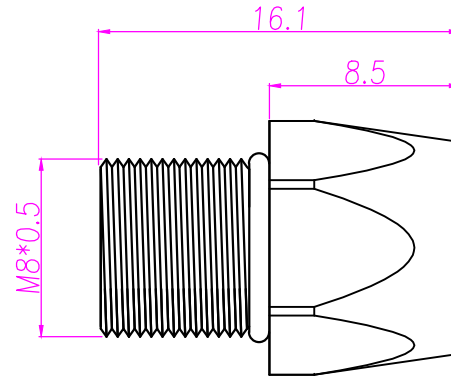
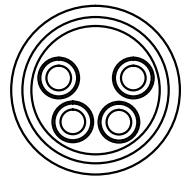




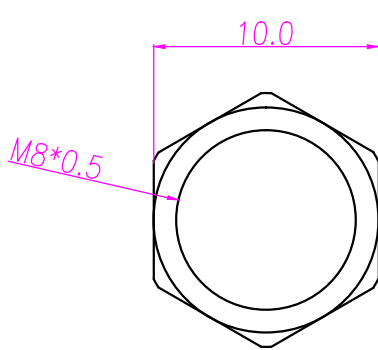
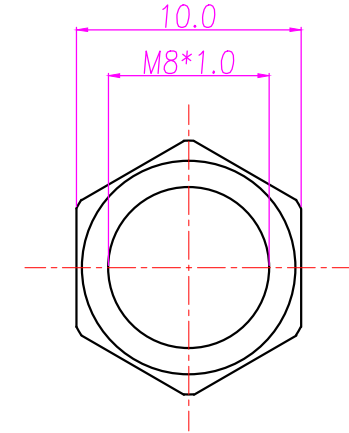
REV.	DESCRIPTION	APPVL. BY	DATE	ECN NO.
A	RELEASE	KUNG	26/03/14'	
B				
C				



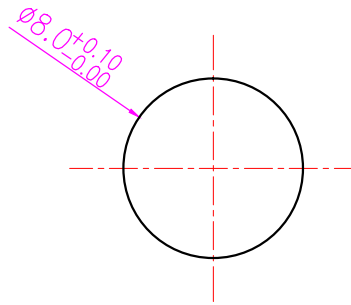
HPUSING & PIN & O-RING



SHELL & O-RING



NUT



RECOMMEND PANEL CUT-OUT

NOTE:

- MATERIAL :
  - HOUSING : PBT UL94V-0 ; COLOR : BLACK
  - CONTACT : BRASS.
  - SHELL : BRASS.
  - NUT : BRASS.
  - O-RING : EPDM ; COLOR : BLACK
- FINISH :
  - CONTACT : GOLD FLASH.
  - SHELL : NICKEL PLATED.
  - NUT : NICKEL PLATED.
- ELECTRICAL SPECIFICATION :
  - Rated current : 5A
  - Rated Voltage : 125V
  - Water proof : IP67
- Environmental :
  - Operation Temperature : -20 ℃~85℃

DRAW	KU	APPVL	KUNG	UNIT	mm	TOLERANCE		JKL TECHNOLOGY CO., LTD.	TITLE	M8 4PIN FEMALE REAR PANEL MOUNT			SHEET	
CHECK				SCALE	1:1				PART NO.	WP-04F2-07-11	DWG NO.	QC6621	VERSION	