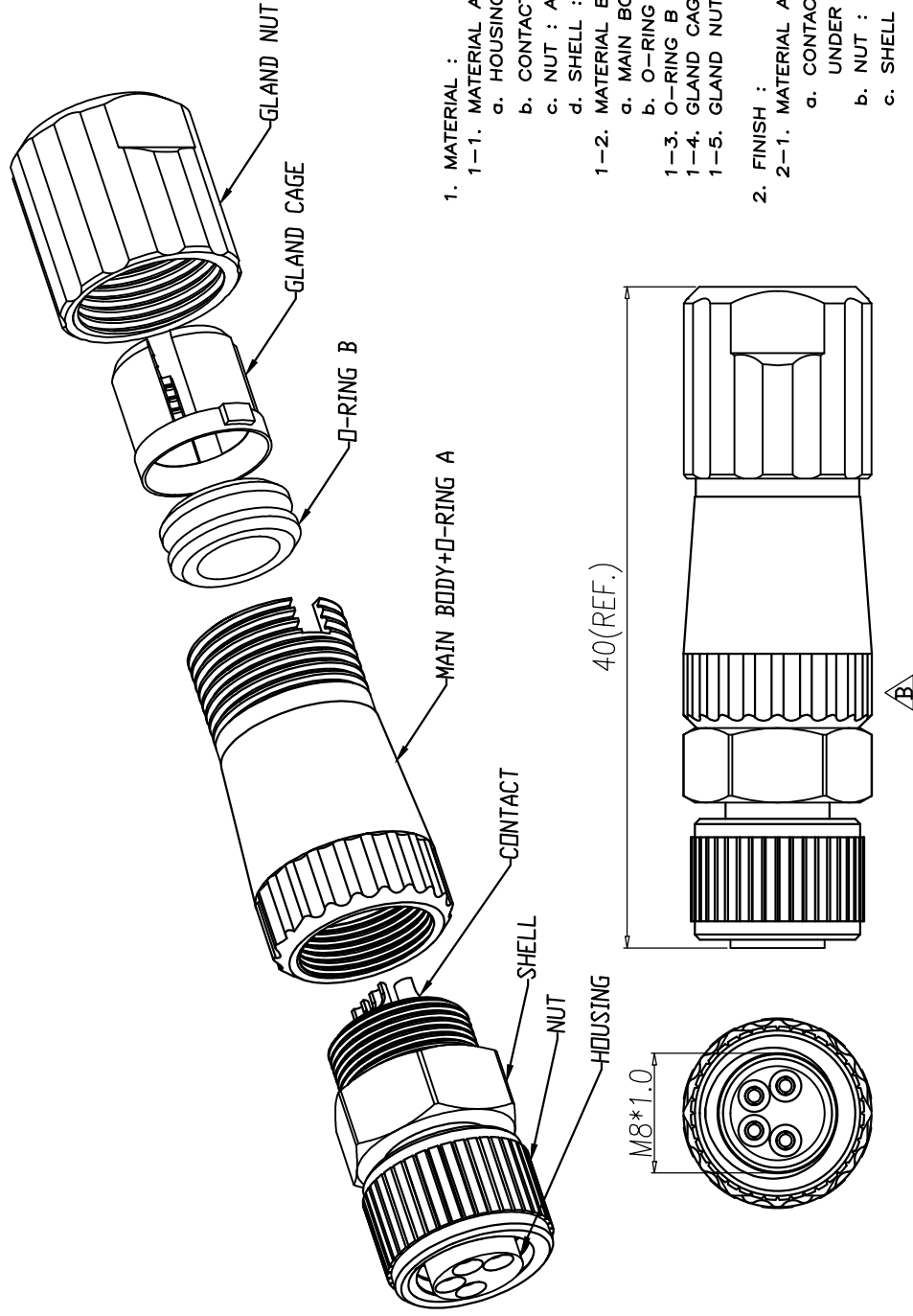




* SUBJECT TO CHANGE WITHOUT NOTICE



1. MATERIAL :

1-1. MATERIAL A

- a. HOUSING : PBT UL94V-0 ; COLOR : BLACK.
- b. CONTACT : BRASS
- c. NUT : ALUMINIUM ALLOY
- d. SHELL : BRASS $\triangle B$

1-2. MATERIAL B

- a. MAIN BODY : PA66 ; COLOR : BLACK
- b. O-RING A : SILICONE ; COLOR : BLACK
- 1-3. O-RING B : NBR COLOR : BLACK.
- 1-4. GLAND CAGE : PA66 ; COLOR : WHITE.
- 1-5. GLAND NUT : PA66 ; COLOR : BLACK $\triangle B$

2. FINISH :

2-1. MATERIAL A

- a. CONTACT : GOLD FLASH PLATED.
- UNDER PLATE : NICKEL.
- b. NUT : NICKEL PLATED.
- c. SHELL : NICKEL PLATED. $\triangle B$

3. ELECTRICAL SPECIFICATION :

- 3-1. Rated current : 3A
- 3-2. Rated voltage : 3PIN 60V ; 4PIN 30V
- 3-3. Water proof : IPX7
- 4. Environmental :
 - 4-1. Operation Temperature : -20c~85c

REV.	DESCRIPTION	APPROVED BY	DATE	ECN NO.
$\triangle A$	RELEASE	KUNG	27/09/18'	
$\triangle B$	CHANGE DESIGN	KUNG	11/10/18'	
$\triangle C$				

DRAWN	Yeh Chou	KUNG	M8 4PIN (F) Assembly type	SHEET	1
	CHK'D				
TITLE		PART NO.		DWG NO.	
JKL TECHNOLOGY CO., LTD.		WP-04F2-209-11		QC8885	

TOLERANCE	mm	UNIT	SCALE
.x ±0.20			
.xx ±0.10			
.xxx ±0.05			
.xxxx ±0.03			
ANGULA ±1°			