



* SUBJECT TO CHANGE WITHOUT NOTICE

18.70

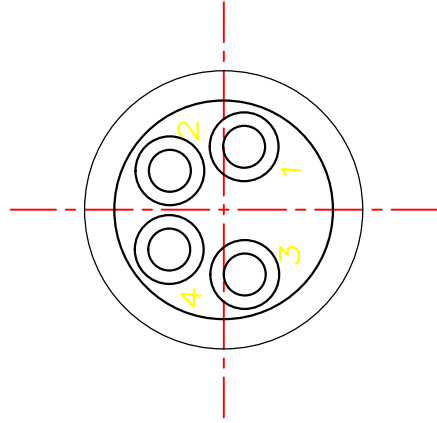
15.3

1.7

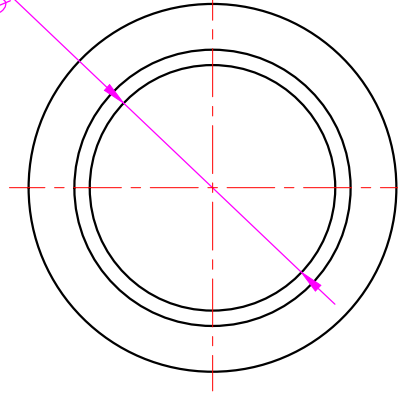
2.8

1.5

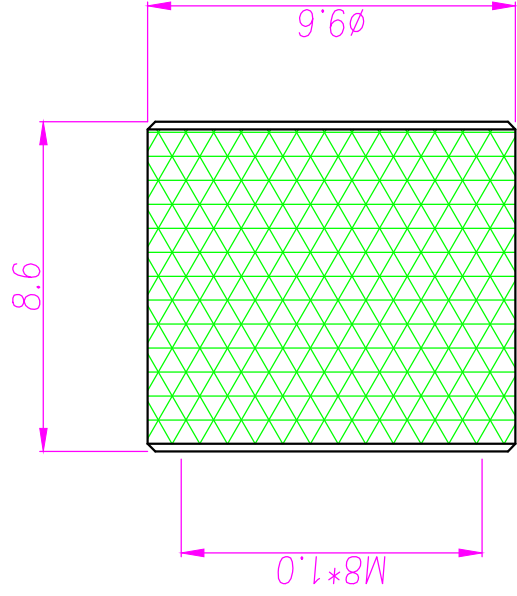
6.3



6.4



NUT



M8*1.0

REV.	DESCRIPTION	APPL. BY	DATE	ECN NO.
A	RELEASE	KUNG	27/09/18'	
B	1. INCREASE GROOVE 2. UPDATE PART NO. # WP-04F2-210-11	KUNG	15/02/19'	
C				

NOTE

- MATERIAL :
 - HOUSING : PBT UL94V-0 ; COLOR : BLACK
 - CONTACT : PHOSPHOR BRONZE
 - NUT : BRASS
 - GROUND : BRASS
 - O-RING : NBR
- FINISH :
 - CONTACT A : 10 MICRO INCHES MIN. GOLD PLATED
UNDER PLATE : NICKEL
 - NUT : NICKEL PLATED
 - GROUND : NICKEL PLATED
- ELECTRICAL SPECIFICATION :
 - Rated current : 5A
 - Voltage : 125V
 - Water proof: IPX7
- Environmental :
 - Operation Temperature : -20°C~85°C

DRAW	Mark Kao	APPVL	KUNG	UNIT	TOLERANCE	TITILE	SHEET
	Emily Suen						
CHECK						PART NO.	VERSION
						WP-04F2-210-11	B
						DWG NO.	
						QC8890	

JKL TECHNOLOGY CO., LTD.

