



* SUBJECT TO CHANGE WITHOUT NOTICE

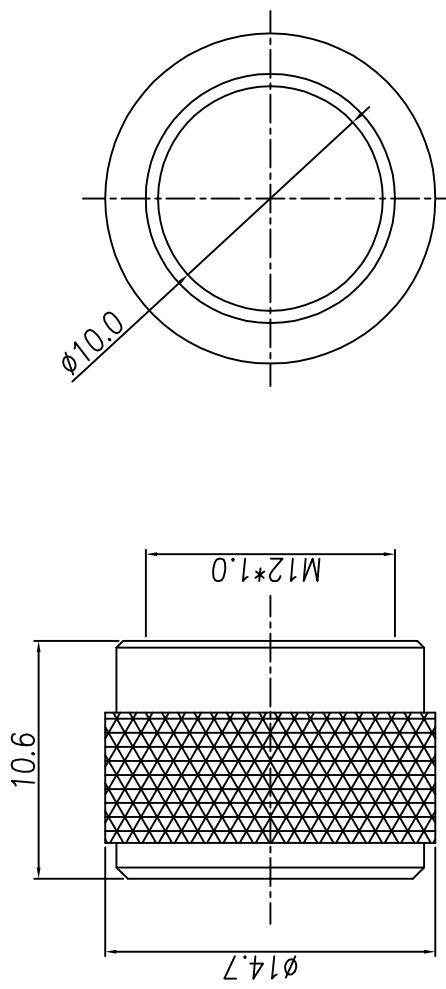
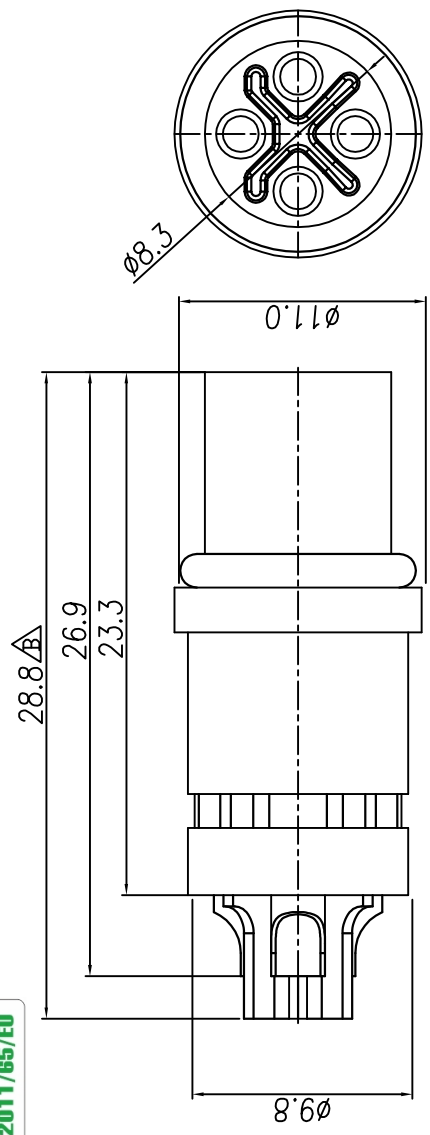


Table A

WP-04F2-250-11	WP-03F2-138-11

FEATURE:

1. MATERIAL :
 - 1-1. HOUSING : PA66 UL94V-0 ; COLOR : BLACK
 - 1-2. CONTACT : BRASS
 - 1-3. O-RING : EPDM
 - 1-4. NUT : BRASS
2. FINISH :
 - 2-1. CONTACT : 10u" MIN. GOLD PLATED
 - UNDER PLATE : NICKEL
 - 2-2. NUT : NICKEL PLATED
3. ELECTRICAL SPECIFICATION :
 - 3-1. Rated current : 12A
 - 3-2. Rated Voltage : 630V
 - 3-3. Water proof: IP67/68
4. Environmental :
 - 4-1. Operation Temperature : -40℃~105℃
5. PIN AVAILABLE : SEE TABLE A

REV.	DESCRIPTION	APPL. BY	DATE	ECN NO.
A	RELEASE	KUNG	03/01/20*	
B				
C				

DRAW	HULK	APPVL	KUNG	UNIT	mm	TOLERANCE	xx xx xxx xxxx ANGULA	±0.20 ±0.10 ±0.05 ±0.03 ±1°
CHECK				SCALE	1:1			
		JKL TECHNOLOGY CO., LTD.		TITLE	M12 S CODE (F) FOR CABLE			
		PART NO.	WP-04F2-250-11	DWG NO.	QC9507			
		SHEET	1	VERSION		A		