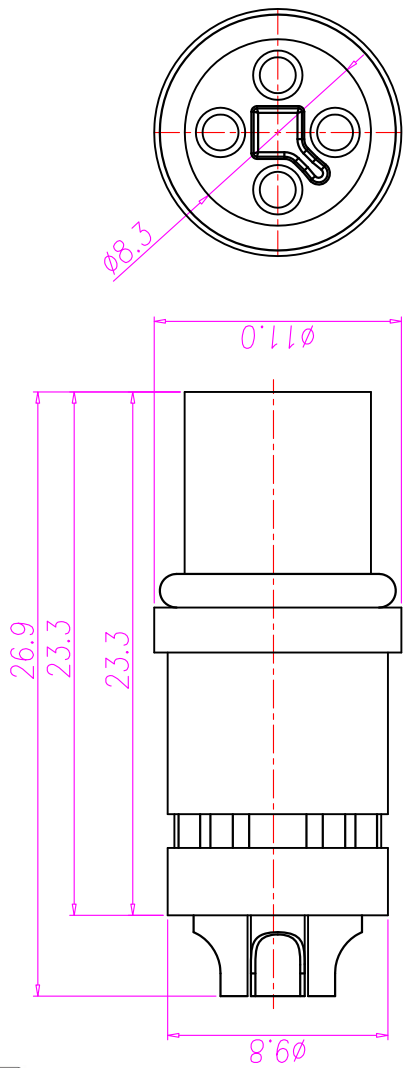


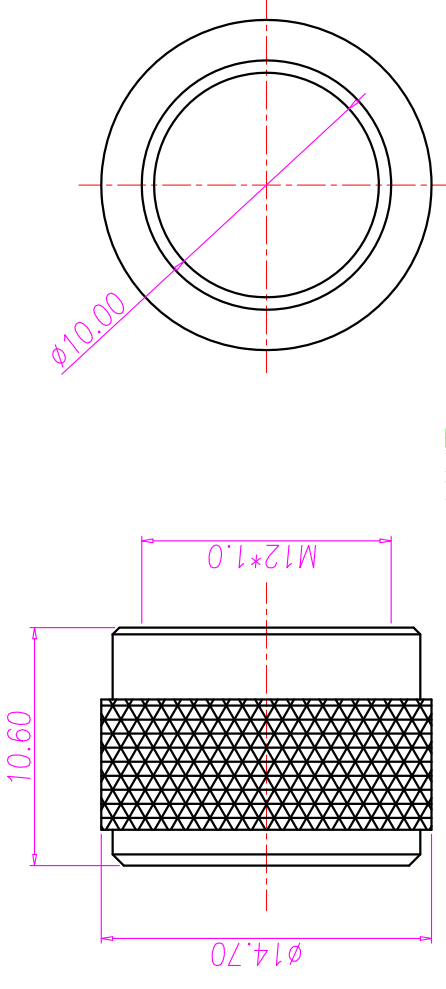
REV.	DESCRIPTION	APPL. BY	DATE	ECN NO.
A	RELEASE	KUNG	05/09/19*	
B				
C				

\* SUBJECT TO CHANGE WITHOUT NOTICE



**FEATURE:**

- MATERIAL :**
  - HOUSING : PA66 UL94V-0 ; COLOR : BLACK
  - CONTACT : BRASS
  - O-RING : EPDM
  - NUT : BRASS
- FINISH :**
  - CONTACT : 10u" MIN. GOLD PLATED  
UNDER PLATE : NICKEL
  - NUT : NICKEL PLATED
- ELECTRICAL SPECIFICATION :**
  - Rated current : 12A
  - Rated Voltage : 63V
  - Water proof: IP67/68
- Environmental :**
  - Operation Temperature : -40℃~105℃
- PIN AVAILABLE :** SEE TABLE A



NUT

Table A

WP-04F2-252-11	WP-03F2-140-11	WP-02F2-80-11

DRAW	HULK	APPVL	KUNG	UNIT	mm	TOLERANCE	JKL TECHNOLOGY CO., LTD.	TITLE	M12 T CODE (F) FOR CABLE	SHEET	1
CHECK				SCALE	1:1	.x ±0.20 .xx ±0.10 .xxx ±0.05 .xxxx ±0.03 ANGULA ±1°		PART NO.	WP-04F2-252-11	VERSION	A
								DWG NO.	QC9510		