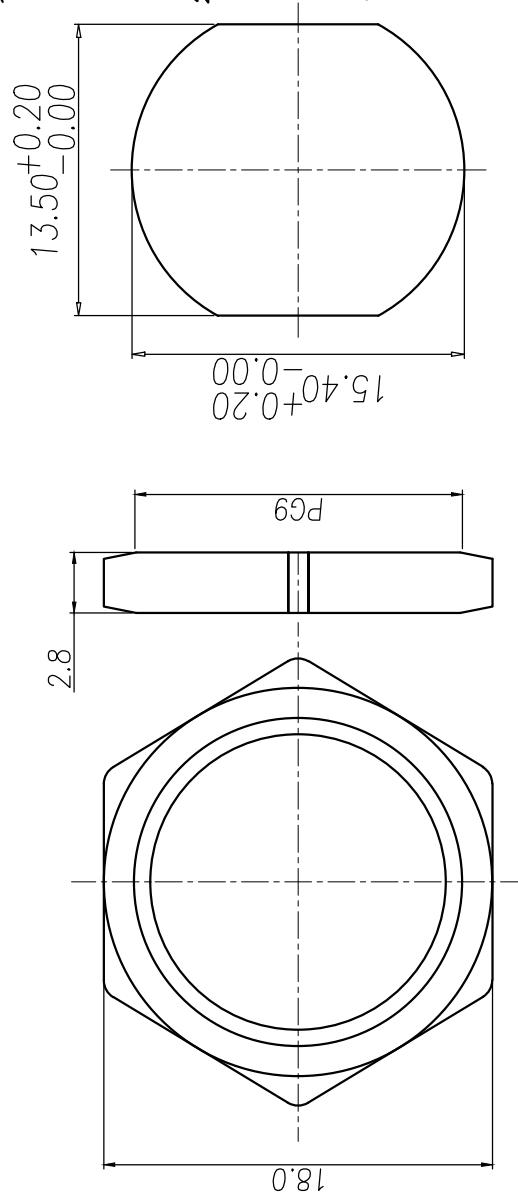
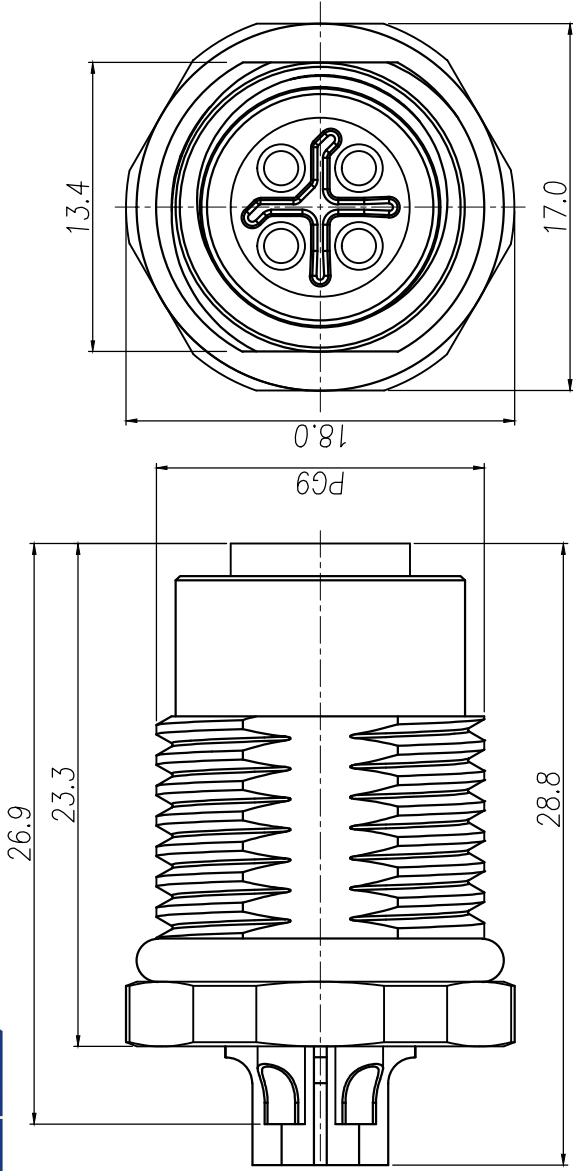




* SUBJECT TO CHANGE WITHOUT NOTICE



NUT

PANEL CUT-OUT

Table A

WP-04F2-256-11	WP-03F2-145-11

- MATERIAL :
 - HOUSING : PA66 UL94V-0 ; COLOR : BLACK
 - CONTACT : BRASS
 - SHELL : BRASS
 - O-RING : EPDM
 - NUT : BRASS
- FINISH :
 - CONTACT : 10u" MIN. GOLD PLATED
UNDER PLATE : NICKEL
 - SHELL : NICKEL PLATED
 - NUT : NICKEL PLATED
- ELECTRICAL SPECIFICATION :
 - Rated current : 12A
 - Rated Voltage : 630V
 - Water proof: IP67/68
- Environmental :
 - Operation Temperature : -40°C~105°C

REV.	DESCRIPTION	APPROVED BY	DATE	ECN NO.
A	RELEASE	KUNG	04/03/20*	
B				
C				

DRAWN	KU	APP'D	KUNG	UNIT	mm	TOLERANCE	±0.20 ±0.10 ±0.05 ±0.03 ANGULA ±1°	JKL TECHNOLOGY CO., LTD.	TITLE	M12 S-CODING (F) FRONT PANEL MOUNT	SHEET	1
CHK'D	Emily Suen			SCALE	1:1				PART NO.	WP-04F2-256-11	VERSION	A
									DWG.	QC9606		