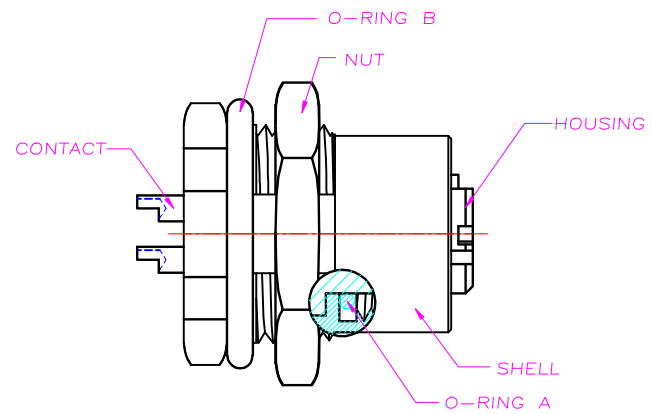
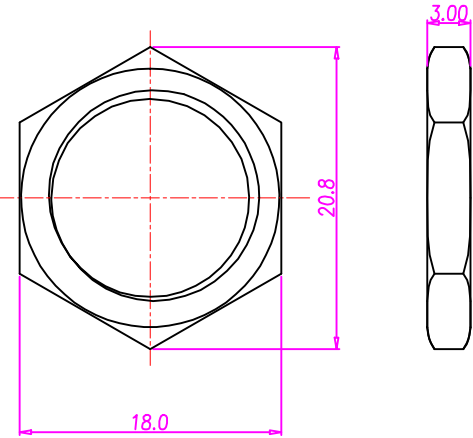
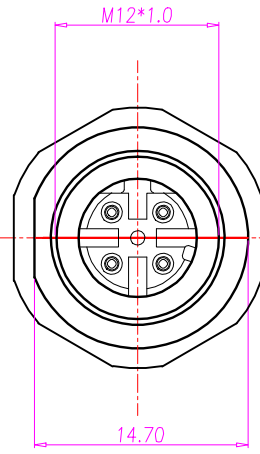
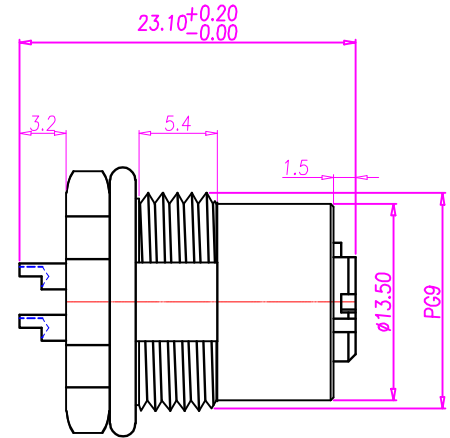
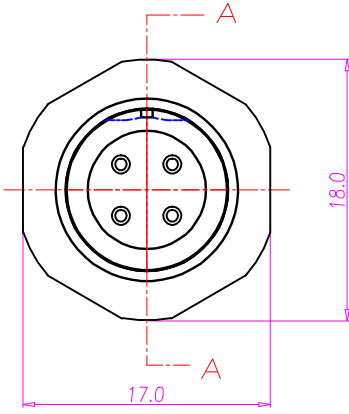


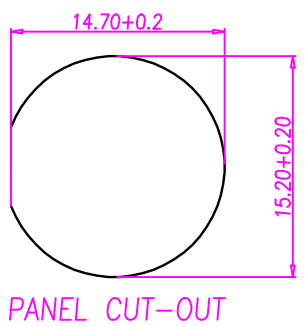


REV.	DESCRIPTION	APPROVED BY	DATE	ECN NO.
A			08/14/09	
B				
C				



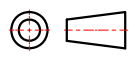
ASSEMBLY

- MATERIAL :
 - HOUSING : PBT UL94V-0 ; COLOR : BLACK
 - CONTACT : BRASS
 - SHELL: BRASS
 - NUT : BRASS
 - O-RING A : EPDM; COLOR : BLACK
 - O-RING B : NBR; COLOR : BLACK
- FINISH :
 - CONTACT : 10 MICRO INCHES MIN. GOLD PLATED
UNDER PLATE : NICKEL
 - SHELL : NICKEL PLATED 60u" ~ 100u" OVER ALL
 - NUT : NICKEL PLATED 60u" ~ 100u" OVER ALL
- ELECTRICAL SPECIFICATION :
 - Rated current : 5A
 - Voltage :125V
 - Water proof: IPX7
- Environmental :
 - Operation Temperature : -40 ℃~85℃



DRAWN	NEIL	APP'D	KUNG
CHK'D	TIM		

UNIT	mm	TOLERANCE
SCALE	1:1	.x ±0.20
		.xx ±0.10
		.xxx ±0.05
		.xxxx ±0.03
		ANGULA ±1°



JKL TECHNOLOGY CO., LTD.

TITLE	M12 4PIN (F) 型连接器(洗車機)			SHEET	1/1
PART NO.	WP-04F2-30	DWG.	QC3776	VERSION	A