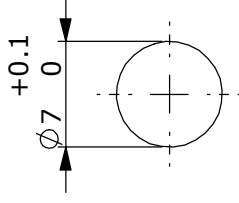
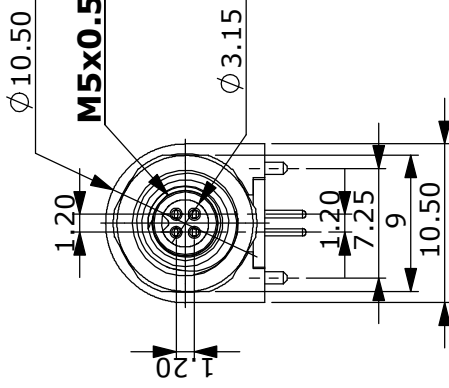
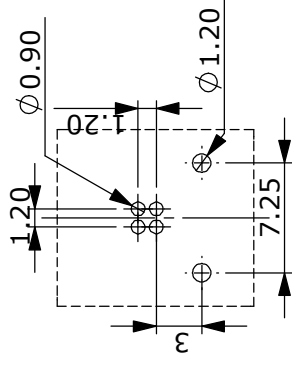


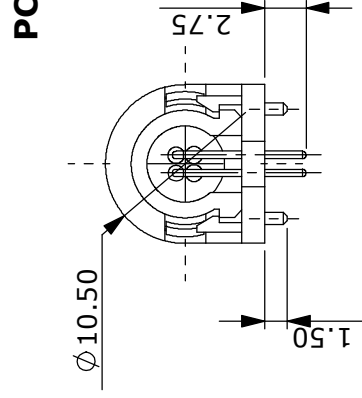
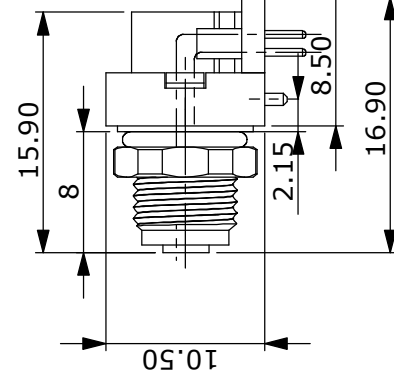
M7x0.75



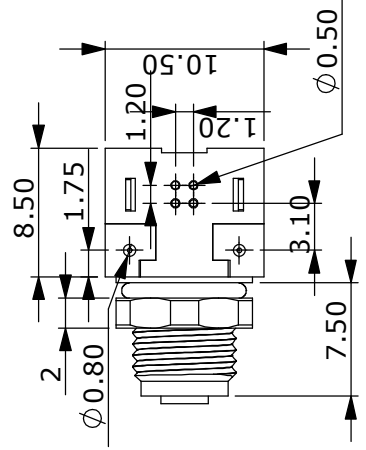
PANEL CUT-OUT



M5x0.5



PCB LAYOUT



No.	Description	Material	Treat	Q'ty
1	Back Shell	PBT		1
2	Back Base	PBT		1
3	Shield	Brass	Nickel Ptd.	1
4	Housing	PBT		1
5	Glue	Epoxy		1
6	Terminals 1	Brass	Gold Ptd.	2
7	Terminals	Brass	Gold Ptd.	2
8	O-Ring	NBR		2
9	Screw Nut	Brass	Nickel Ptd.	1

DRAWN	NEIL	APP'D	KUNG	UNIT	mm	TOLERANCE	x ±0.20 .xx ±0.10 .xxx ±0.05 .xxxx ±0.03 ANGLA ±1°		JKL TECHNOLOGY CO., LTD.	TITLE	M5 4P FEMALE RIGHT ANGLED PENAL FRONT MOUNT DIP TYPE	SHEET	1
	CHK'D									TIM	PART NO.		
										DWG.	QC5220		

REV.	DESCRIPTION	APPROVED BY	DATE	ECN NO.
A				
B				
C				