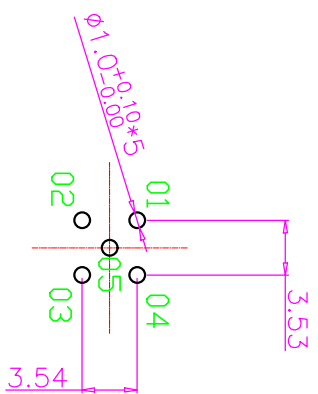
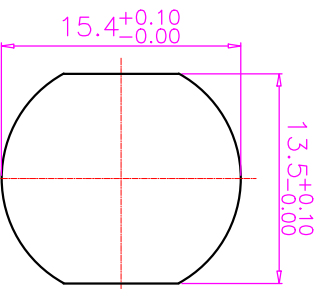
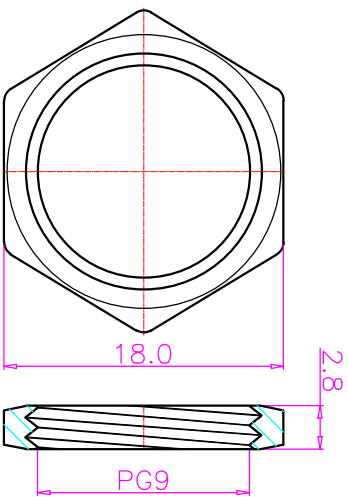
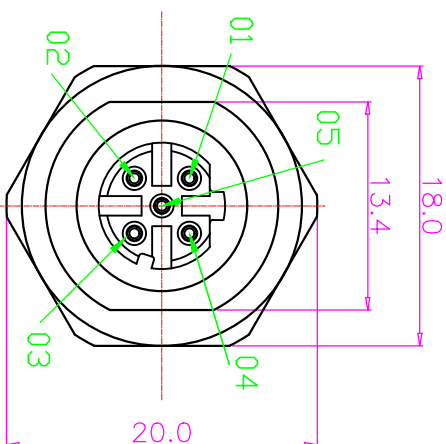
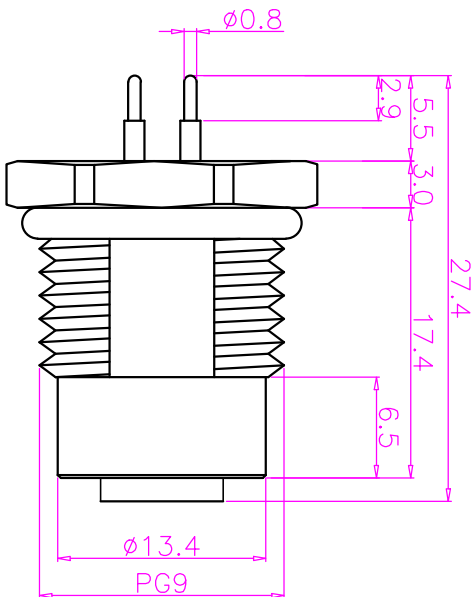


* SUBJECT TO CHANGE WITHOUT NOTICE



RECOMMENDPANEL CUT-OUT RECOMMEND P.C.B LAYOUT

NUT

REV	DESCRIPTION	APPROVED BY	DATE	ECN NO.
A	RELEASE	KUNG	04/03/18	
B				
C				

- MATERIAL :
 - HOUSING : PBT UL94V-0 ; COLOR : BLACK
 - CONTACT : BRASS
 - NUT : BRASS
 - SHELL : BRASS
 - O-RING : EPDM ; COLOR : BLACK
- FINISH :
 - CONTACT : GOLD 10u"
 - UNDER PLATE : NICKEL
 - NUT : NICKEL PLATED
 - SHELL : NICKEL PLATED
- ELECTRICAL SPECIFICATION :
 - Rated current : 5A
 - Rated voltage : 125V
 - Water proof : IPX7
- Environmental :
 - Operation Temperature : -40C~85C

DRAWN	Ku Chou	APPEND	KUNG	UNIT	mm	TOLERANCE	± 0.20	± 0.10	± 0.05	± 0.03	ANGULA	$\pm 1^\circ$			JKL TECHNOLOGY CO., LTD.	TITLE	M12 4PIN D-CODE Female Panel Mount, DIP TYPE	SHEET	2		
CHECKED	Emily Suen			SCALE	1:1											PART NO.	WP-04F-2-79	DWG NO.	005577	VERSION	A