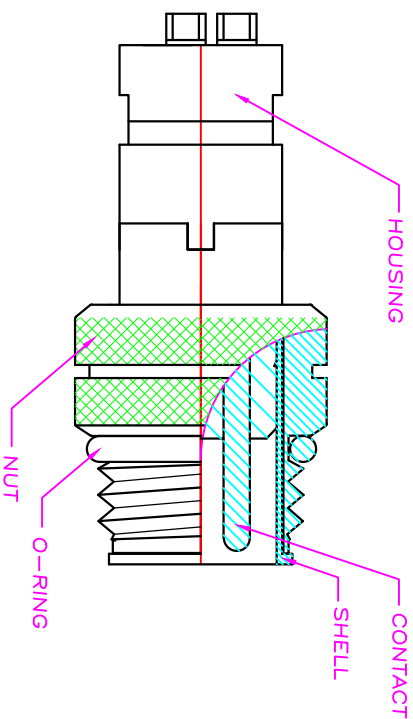
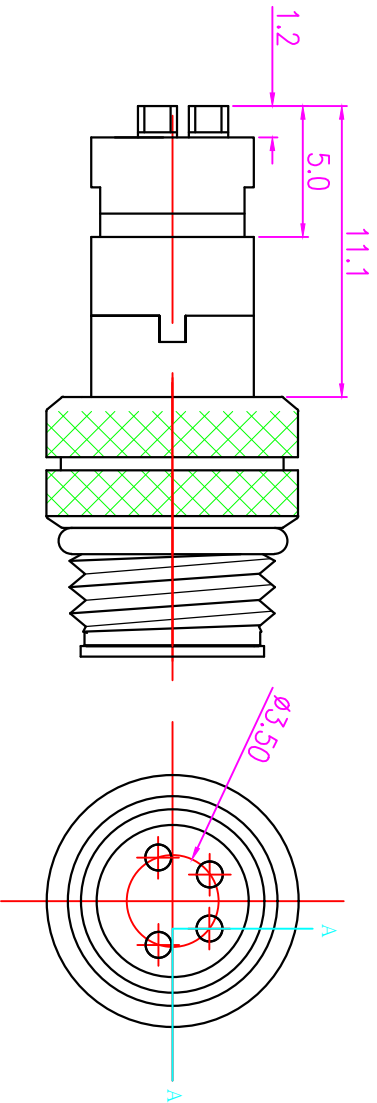
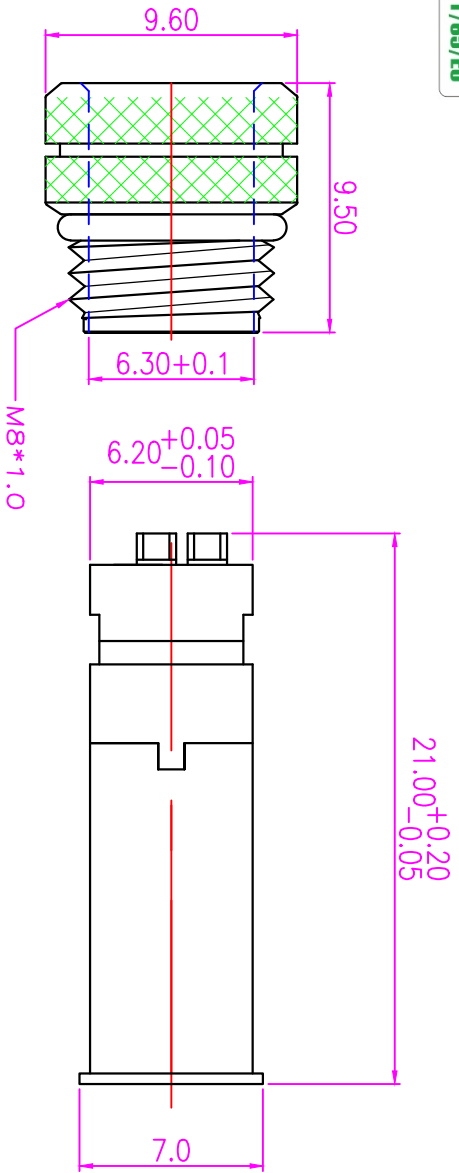


* SUBJECT TO CHANGE WITHOUT NOTICE

REV.	DESCRIPTION	APPR. BY	DATE	ECN NO.
A	RELEASE	KUNG	27/09/17	
B				
C				



SECTION AA

- NOTE:
- MATERIAL :
 - HOUSING : PBT UL94V-0 ; COLOR : BLACK
 - CONTACT : COPPER ALLOY
 - SHELL : COPPER ALLOY
 - NUT : COPPER ALLOY
 - O-RING : NBR ; COLOR : BLACK
 - FINISH :
 - CONTACT :10 MICRO INCHES MIN. GOLD PLATING OVER NICKEL
 - SHELL : NICKEL PLATED
 - NUT : NICKEL PLATED 60u" ~ 100u" OVER ALL
 - ELECTRICAL SPECIFICATION :
 - Rated current : 5A
 - Voltage :125V
 - Water proof: IPX7
 - Environmental :
 - Operation Temperature : -40 C~85C

DRAW	Ku Chou	APPR. BY	KUNG	UNIT	mm	TOLERANCE		JKL TECHNOLOGY CO., LTD.	TITLE	M8 4P MALE WATERPROOF CONNECTOR FOR CABLE	SHEET	
CHECK	Emily Suen	SCALE	1:1	SCALE	1:1	.x ±0.20 .xx ±0.10 .xxx ±0.05 .xxxx ±0.03 ANGULA ±1°			PART NO.	WP-04M2-14	DWG NO.	