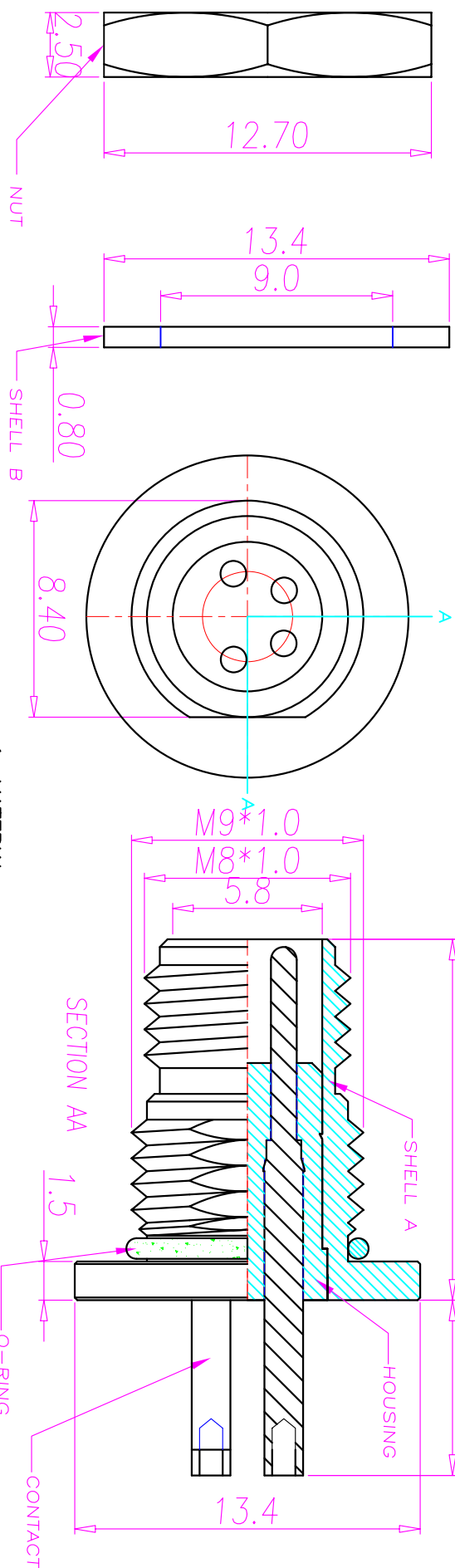


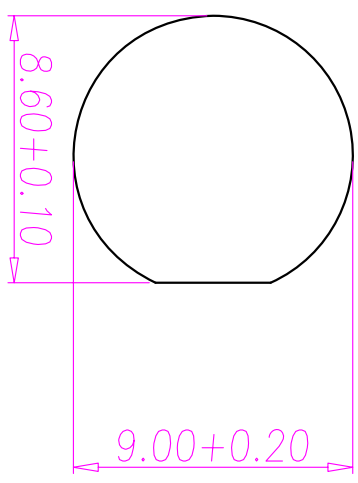


# CUSTOMER DRAWING

REV.	DESCRIPTION	APPL. BY	DATE	ECN NO.
A	RELEASE	KUNING	22/12/08*	
B				
C				



PANEL CUT-OUT



- MATERIAL :
  - HOUSING : PBT UL94V-0 ; COLOR : BLACK
  - CONTACT A : BRASS
  - SHELL A : BRASS
  - SHELL B : BRASS
  - NUT : BRASS
  - O-RING : NBR; COLOR : BLACK
- FINISH :
  - CONTACT A : 10 MICRO INCHES MIN. GOLD PLATED UNDER PLATE : NICKEL
  - SHELL A : NICKEL PLATED 60u" ~ 100u" OVER ALL
  - SHELL B : NICKEL PLATED 60u" ~ 100u" OVER ALL
- ELECTRICAL SPECIFICATION :
  - Rated current : 5A
  - Voltage : 125V
  - Water proof: IPX7
- Environmental :
  - Operation Temperature : -40 C~85C

DRAW	HULK	APPVL	KUNING	UNIT	mm	TOLERANCE	 	JKL TECHNOLOGY CO., LTD.	TITLE	M8 4 PIN MALE WATERPROOF CONNECTOR, PANEL MOUNT.	SHEET	
CHECK				SCALE	1:1	x ±0.20 xx ±0.10 xxx ±0.05 xxxx ±0.03 ANGULA 31°			PART NO.	WP-04M2-16	DWG NO.	QC3499