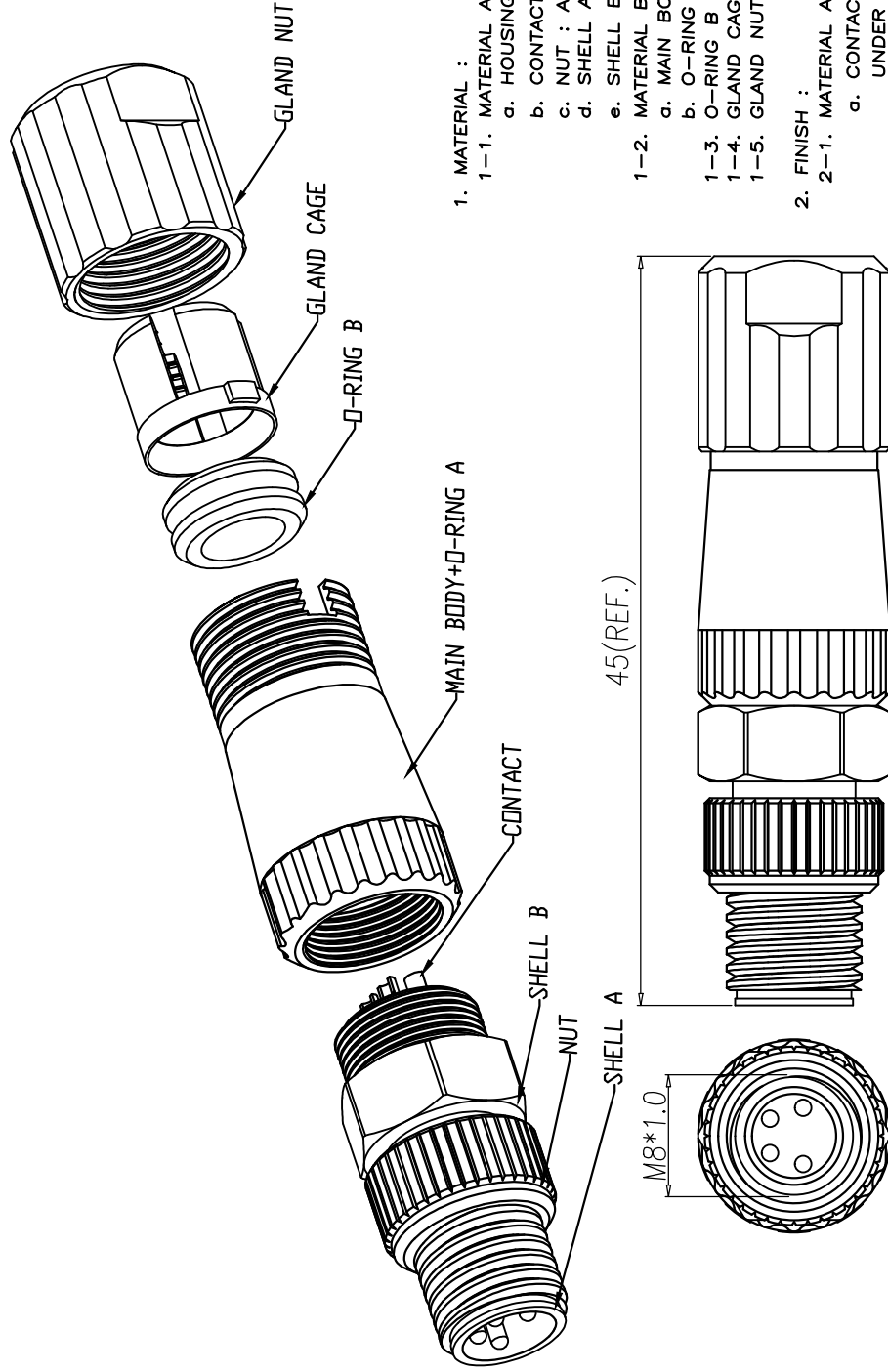




* SUBJECT TO CHANGE WITHOUT NOTICE



1. MATERIAL :

- 1-1. MATERIAL A
 - a. HOUSING : PBT UL94V-0 ; COLOR : BLACK.
 - b. CONTACT : BRASS
 - c. NUT : ALUMINIUM ALLOY
 - d. SHELL A : BRASS
 - e. SHELL B : BRASS

1-2. MATERIAL B

- a. MAIN BODY : PA66 ; COLOR : BLACK
- b. O-RING A : SILICONE ; COLOR : BLACK
- 1-3. O-RING B : NBR COLOR : BLACK.
- 1-4. GLAND CAGE : PA66 ; COLOR : WHITE.
- 1-5. GLAND NUT : PA66 ; COLOR : BLACK

2. FINISH :

- 2-1. MATERIAL A
 - a. CONTACT : GOLD FLASH PLATED.
 - UNDER PLATE : NICKEL.
 - b. NUT : NICKEL PLATED.
 - c. SHELL A : NICKEL PLATED.
 - d. SHELL B : NICKEL PLATED.

3. ELECTRICAL SPECIFICATION :

- 3-1. Rated current : 3A
- 3-2. Rated voltage : 3PIN 60V ; 4PIN 30V
- 3-3. Water proof : IPX7

4. Environmental :

- 4-1. Operation Temperature : -20C~85C

REV.	DESCRIPTION	APPROVED BY	DATE	ECN NO.
A	RELEASE	KUNG	27/09/18'	
B				
C				

DRAWN		Yeh Chou	TITLE		M8 4PIN (M) Assembly type	SHEET		1
CHK'D	APPEND	Emily Suen	PART NO.		WP-04M2-167-11	VERSION		A
KUNG			DWG NO.		QC8886	JXL TECHNOLOGY CO., LTD.		
UNIT		mm	TOLERANCE		.X ±0.20 .XX ±0.10 .XXX ±0.05 .XXXX ±0.03 ANGULA ±1°			
SCALE		1:1	TOLERANCE					