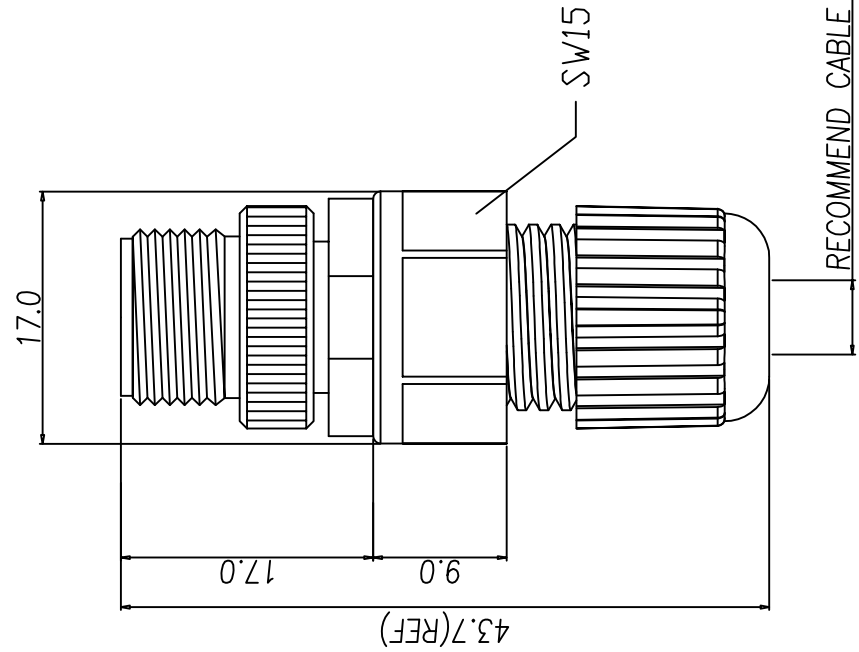
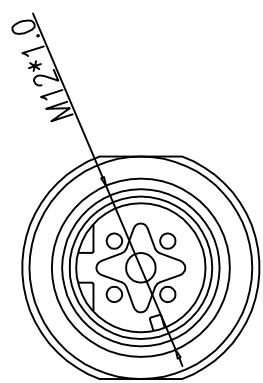


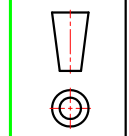
REV.	DESCRIPTION	APPL. BY	DATE	ECN NO.
A	RELEASE	KUNG	13/03/19*	
B				
C				

* SUBJECT TO CHANGE WITHOUT NOTICE



- MATERIAL :
 - HOUSING : PBT UL94V-0 ; COLOR : BLACK.
 - CONTACT : BRASS
 - SHELL : BRASS
 - NUT : ALUMINUM ALLOY
 - GASKET : SILICONE
 - CLAMP RING : PA66
 - SEAL : SILICONE
 - SEALING NUT : PA66
- FINISH :
 - CONTACT : GOLD FLASH PLATED.
 - NUT : NICKEL PLATED.
 - SHELL : NICKEL PLATED.
- ELECTRICAL SPECIFICATION :
 - Rated current : 4A
 - Rated voltage : 4PIN 250V ; 5PIN 60V
 - Water proof : IP67
- Environmental :
 - Operation Temperature : -40°C~105°C

DRAW	Ku Chou	APPVL	Emily Suen	TITLE	M12 4PIN MALE ASSEMBLY TYPE ,D CODE .	SHEET	1
CHECK	Emily Suen			PART NO.	WP-04M2-172-11	VERSION	A
				DWG NO.	QC8987		



TOLERANCE	mm
.x	±0.20
.xx	±0.10
.xxx	±0.05
.xxxx	±0.03
ANGULA	±1°

UNIT	mm
SCALE	1:1

