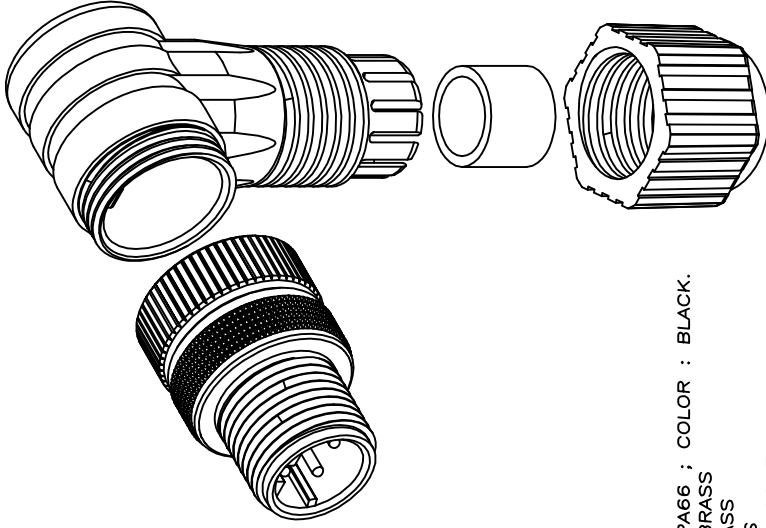
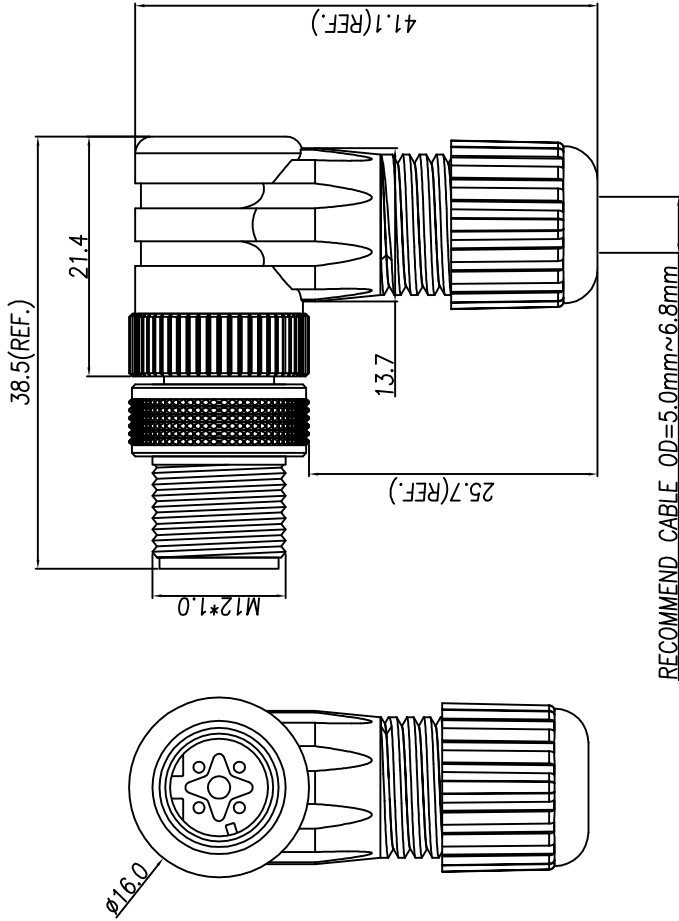




* SUBJECT TO CHANGE WITHOUT NOTICE



- MATERIAL :
 - HOUSING : PA66 ; COLOR : BLACK.
 - CONTACT : BRASS
 - SHELL : BRASS
 - NUT : BRASS
 - O-RING : SILICONE
 - CLAMP RING : PA66
 - SEAL : SILICONE
 - SEALING NUT : PA66
- FINISH :
 - CONTACT : GOLD 10U" MICRO INCHES MIN.
 - NUT : NICKEL PLATED.
 - SHELL : NICKEL PLATED.
- ELECTRICAL SPECIFICATION :
 - Rated current : 4A
 - Rated voltage : 250V
 - Water proof : IP67
- Environmental :
 - Operation Temperature : -40℃~105℃

TABLE A

					WP-04M2-187-11	WP-04M2-188-11	WP-04M2-189-11	WP-04M2-190-11	WP-04M2-191-11
0°	45°	90°	135°	180°					

TOLERANCE	mm
.x	.020
.xx	.010
.xxx	.005
.xxxx	.003
ANGULA	.1°

UNIT	SCALE
mm	1:1

APPVL	KUNG
DRAW	Ku Chou
CHECK	Emily Suen

TITLE	M12 (M) D-CODE 45° ASSEMBLY TYPE.
PART NO.	WP-04M2-188-11
DWG NO.	QC9354

JKL TECHNOLOGY CO., LTD.

SHEET	1
VERSION	A

REV.	DESCRIPTION	APPL. BY	DATE	ECN NO.
A	RELEASE	KUNG	06/05/19*	
B				
C				