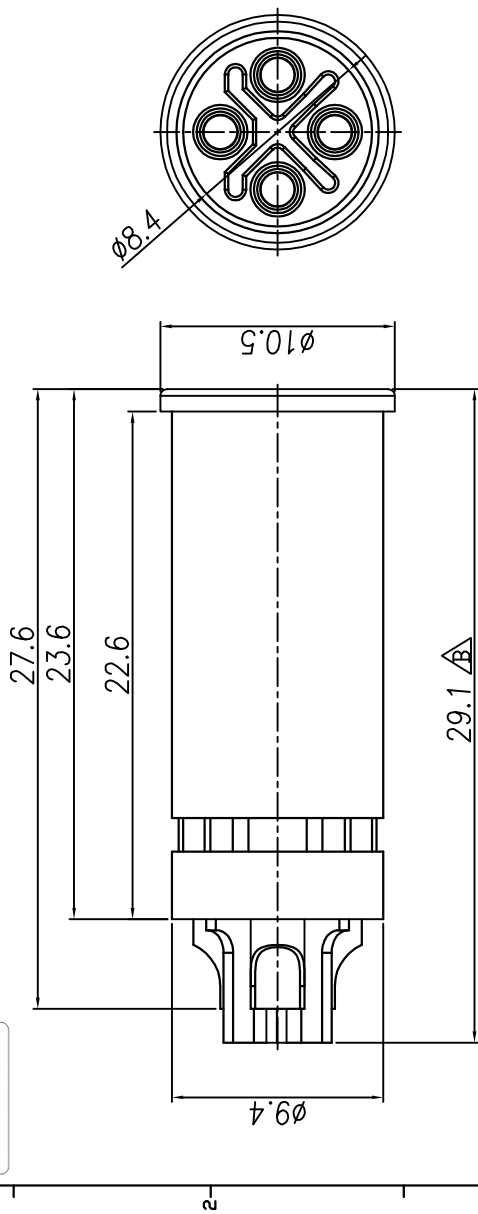


REV.	DESCRIPTION	APPL. BY	DATE	ECN NO.
A	RELEASE	KUNG	03/01/20*	
B				
C				

* SUBJECT TO CHANGE WITHOUT NOTICE



FEATURE:

- MATERIAL :
 - 1-1. HOUSING : PA66 UL94V-0 ; COLOR : BLACK
 - 1-2. CONTACT : BRASS
 - 1-3. NUT : BRASS
- FINISH :
 - 2-1. CONTACT : 10u" MIN. GOLD PLATED UNDER PLATE : NICKEL
 - 2-2. NUT : NICKEL PLATED
- ELECTRICAL SPECIFICATION :
 - 3-1. Rated current : 12A
 - 3-2. Rated Voltage : 630V
 - 3-3. Water proof: IP67/68
- Environmental :
 - 4-1. Operation Temperature : -40°C~105°C
- PIN AVAILABLE : SEE TABLE A

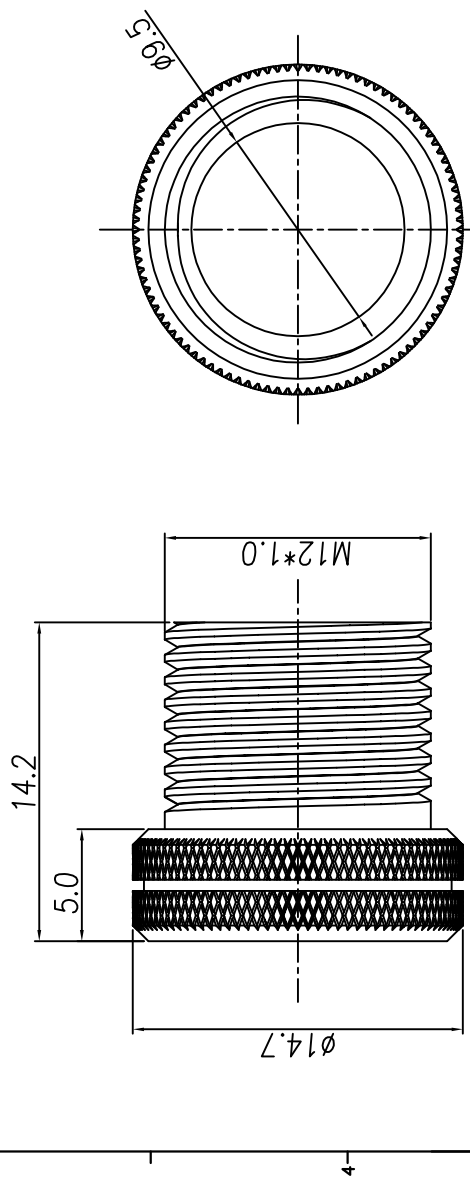


Table A

WP-04M2-199-11	WP-03M2-113-11

DRAW	HULK	APPVL	KUNG	UNIT	mm	TOLERANCE	ANGULA	51*
CHECK				SCALE	1:1	x ±0.20 xx ±0.10 xxx ±0.05 xxxx ±0.03		
		M12 S CODE (M) FOR CABLE		PART NO.		TITLE		SHEET
		M12 S CODE (M) FOR CABLE		WP-04M2-199-11		WP-04M2-199-11		1
		M12 S CODE (M) FOR CABLE		DWG NO.		QC9506		VERSION
		M12 S CODE (M) FOR CABLE		QC9506		A		A

JKL TECHNOLOGY CO., LTD.