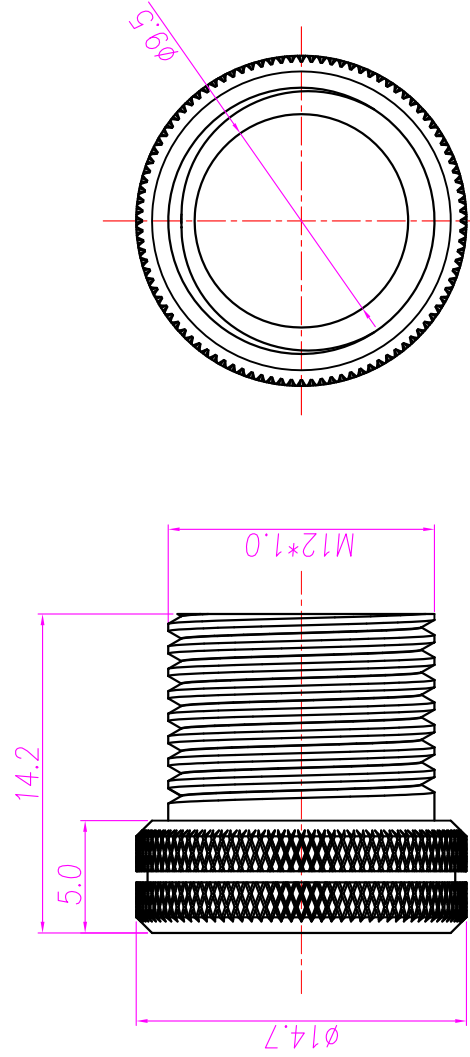
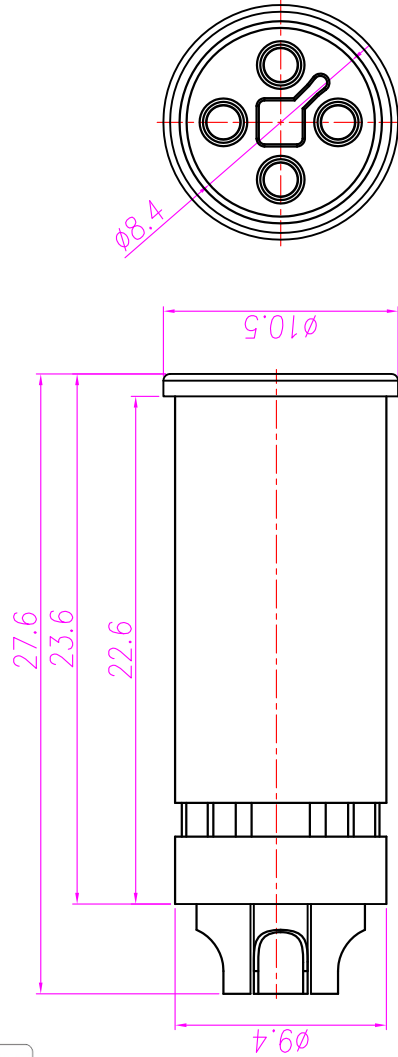


REV.	DESCRIPTION	APPL. BY	DATE	ECN NO.
A	RELEASE	KUNG	05/09/19*	
B				
C				

* SUBJECT TO CHANGE WITHOUT NOTICE



NUT

FEATURE:

- MATERIAL :
 - HOUSING : PA66 UL94V-0 ; COLOR : BLACK.
 - CONTACT : BRASS
 - NUT : BRASS
- FINISH :
 - CONTACT : 10u" MIN. GOLD PLATED UNDER PLATE ; NICKEL
 - NUT : NICKEL PLATED
- ELECTRICAL SPECIFICATION :
 - Rated current : 12A
 - Rated Voltage : 63V
 - Water proof: IP67/68
- Environmental :
 - Operation Temperature : -40°C~105°C
- PIN AVAILABLE : SEE TABLE A

Table A

WP-04M2-200-11	WP-03M2-114-11	WP-02M2-64-11

DRAW	HULK	APPVL	M12 T CODE (M) FOR CABLE		SHEET										
CHECK		KUNG	WP-04M2-200-11	QC9509	1										
			PART NO.	DWG NO.	VERSION										
			WP-04M2-200-11	QC9509	A										
			TITLE	JKL TECHNOLOGY CO., LTD.											
			TOLERANCE	<table border="1"> <tr> <td>x</td> <td>±0.20</td> </tr> <tr> <td>xx</td> <td>±0.10</td> </tr> <tr> <td>xxx</td> <td>±0.05</td> </tr> <tr> <td>xxxx</td> <td>±0.03</td> </tr> <tr> <td>ANGULA</td> <td>±1°</td> </tr> </table>		x	±0.20	xx	±0.10	xxx	±0.05	xxxx	±0.03	ANGULA	±1°
x	±0.20														
xx	±0.10														
xxx	±0.05														
xxxx	±0.03														
ANGULA	±1°														
			UNIT	mm											
			SCALE	1:1											