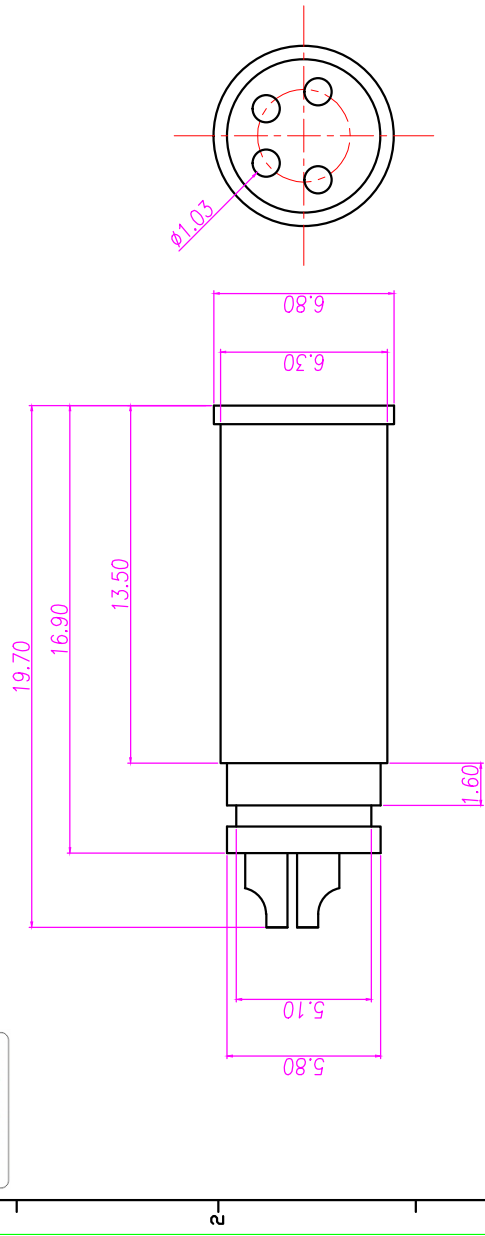
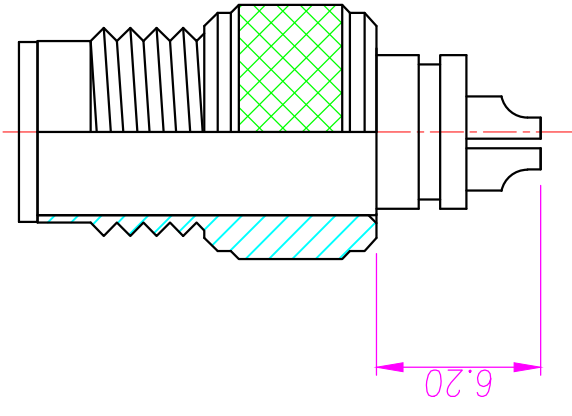




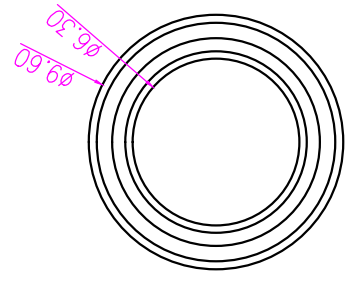
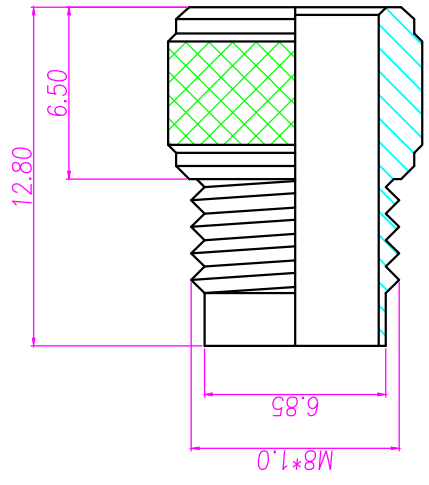
REV.	DESCRIPTION	APPROVED BY	DATE	ECN NO.
A	RELEASE	KUNG	10/02/14*	
B				
C				



HOUSING&CONTACT



NUT



- MATERIAL :
  - HOUSING : PA66 ; COLOR : BLACK
  - CONTACT : BRASS
  - NUT : BRASS
- FINISH :
  - CONTACT : GOLD PLATED.
  - NUT : NICKEL PLATED
- ELECTRICAL SPECIFICATION :
  - Rated current : 3A
  - Rated Voltage : 125V
  - Water proof : IP68
- Environmental :
  - Operation Temperature : -40℃~105℃

DRAWN	CHK'D	KU	APP'D	KUNG	UNIT	mm	TOLERANCE	.x ±0.20 .xx ±0.10 .xxx ±0.05 .xxxx ±0.01 ANGULA ±1°	JKL TECHNOLOGY CO., LTD.		TITLE	SHEET
									SCALE	1:1	PART NO.	WP-04M2-92-11