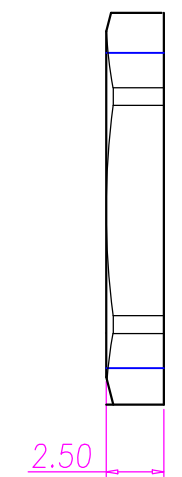
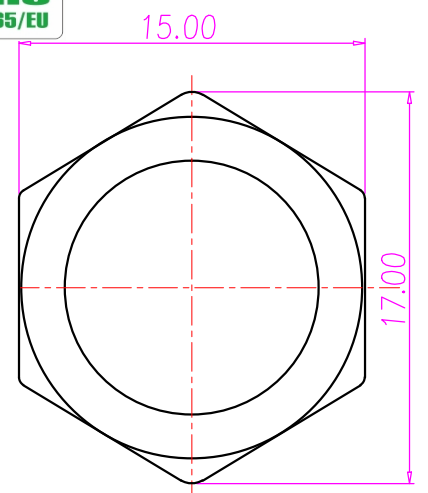
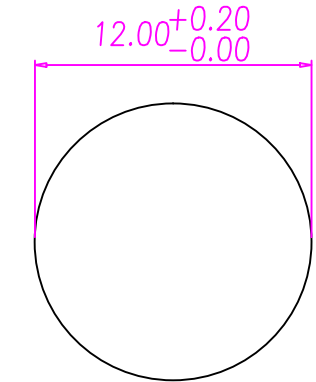




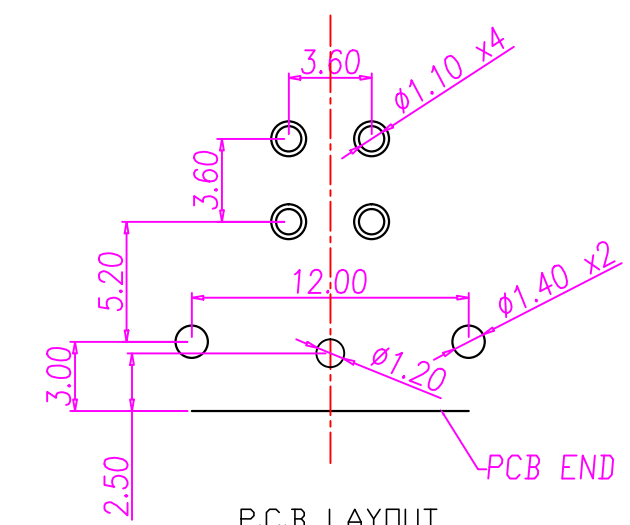
REV.	DESCRIPTION	APPROVED BY	DATE	ECN NO.
A	RELEASE	KUNG	22/12/08*	
B				
C				



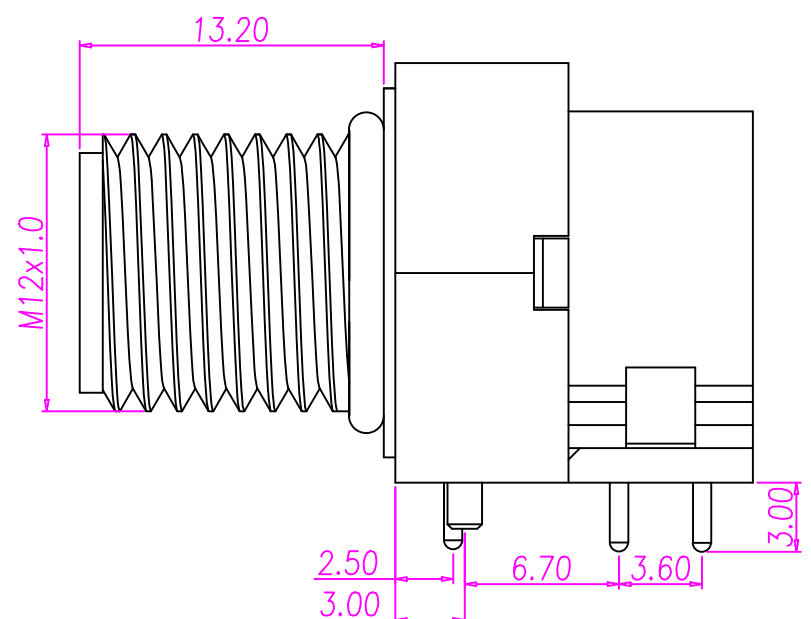
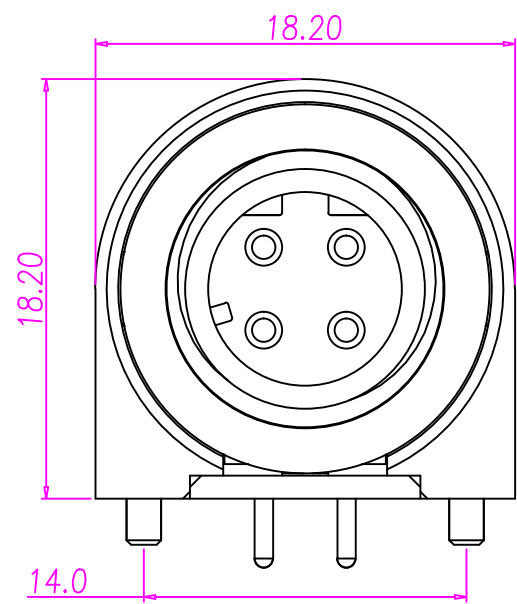
NUT



PANEL CUT-OUT



P.C.B LAYOUT  
4P



- NOTE:
- MATERIAL :
    - 1-1. HOUSING : PBT UL94V-0 ; COLOR : BLACK
    - 1-2. CONTACT : BRASS
    - 1-3. NUT : BRASS
    - 1-4. O-RING : NBR ; COLOR : BLACK
    - 1-5. BACK HOUSING : PBT UL94V-0 ; COLOR : BLACK
    - 1-6. DOWN HOUSING : PBT UL94V-0 ; COLOR : BLACK
  - FINISH :
    - 2-1. CONTACT : GOLD FLASH ON OVER ALL  
UNDER PLATE : NICKEL
    - 2-2. SHELL : STAIN NICKEL 80u"~100u" ON OVER ALL

DRAWN	Yeh Chou	APPEND	KUNG	UNIT	mm	TOLERANCE		<b>JKL TECHNOLOGY CO., LTD.</b>	TITLE	M12x1.0 4PIN MALE RIGHT ANGLED PANEL FRONT MOUNT DIP TYPE , D-CODE .			SHEET
CHK'D	Emily Suen			SCALE	1:1	.x ±0.20 .xx ±0.10 .xxx ±0.05 .xxxx ±0.03 ANGULA ±1°			PART NO.	WP-04M2-94-11	DWG NO.	QC6529	VERSION