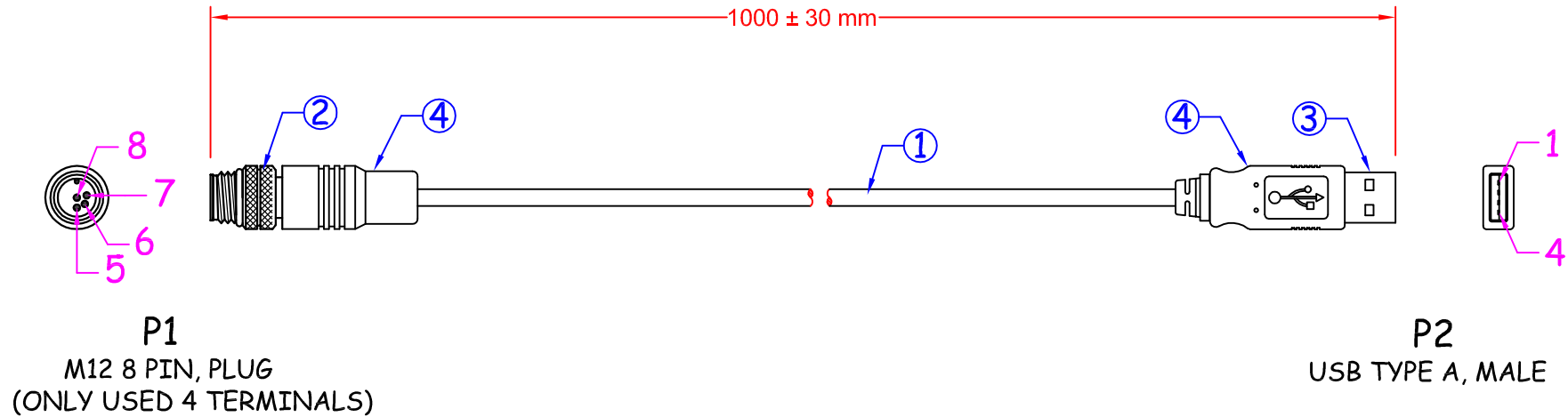


RoHS

ELECTRICAL TEST:

- <1>100% OPEN SHORT&MISS WIRE TEST
- <2>CONTACT RESISTANCE: 2 ohm<MAX>.
- <3>INSULATION RESISTANCE:DC 200V 10ms 5M ohm(MIN).



M12-4PIN SPEC NOTE:

MATERIAL:

- 1. 1-1 INSULATION : THERMOPLATIC
UL94V-0 (PBT 30% GLASS FIBER)
- 1-2 CONTACT: BRASS
- 1-3 SHELL: BRASS

PLATING

- 2-1 CONTACT: 10u" GOLD
- 2-2 SHELL: NICKEL 100u"

WIRE TERMINATIONS

P1	P2
5 _____	4 _____
6 _____	3 _____
7 _____	1 _____
8 _____	2 _____

ITEM	DESCRIPTION / REMARKS	QTY	UNLESS OTHERWISE SPECIFIED	JKL TECHNOLOGY CO., LTD	TITLE: M12 (8 POLE) 4 PIN MALE / USB A TYPE 4P CABLE ASS'Y.
6			UNLESS OTHERWISE SPECIFIED		
5					
4	OVER-MOLD: BLACK PVC 50P		CABLE TOLERANCE		PART NO: WP-04M2-USB28-1M-BK
3	USB TYPE A, MALE		LENGTH ± 3%	SCALE: <u>FREE</u> DATE: <u>07/07/10</u>	CUSTOMER:
2	M12-8PIN, PLUG (ONLY USE 4TERMINAL)	1	CONNECTOR TOLERANCE	UNITS : <u>MILLIMETER</u> CHK': <u>JOJO</u>	SIZE DRAWING NUMBER: REV SHEET
1	UL 2725 28AWG x 4C, BLACK PVC JACKET	1	.XXX± LINEAR	DRAWN BY: <u>NEIL</u> APP' D: _____	
			.XX± LINEAR		