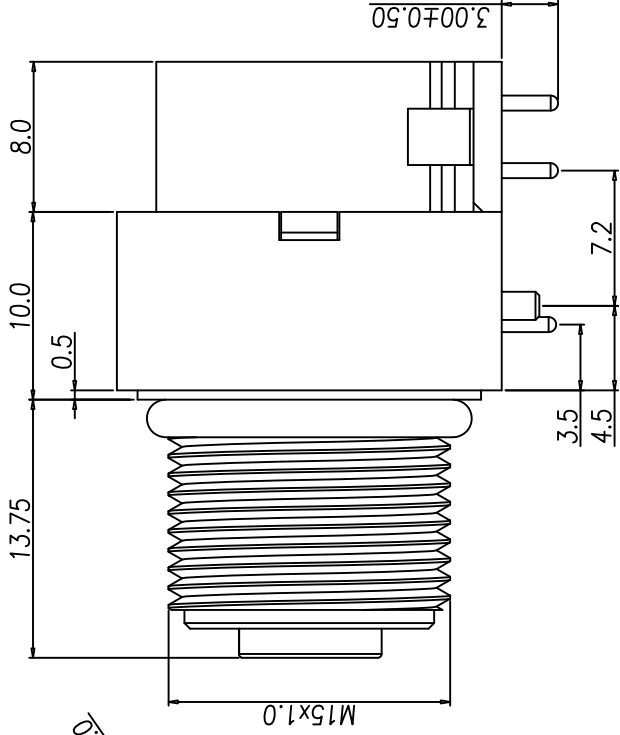
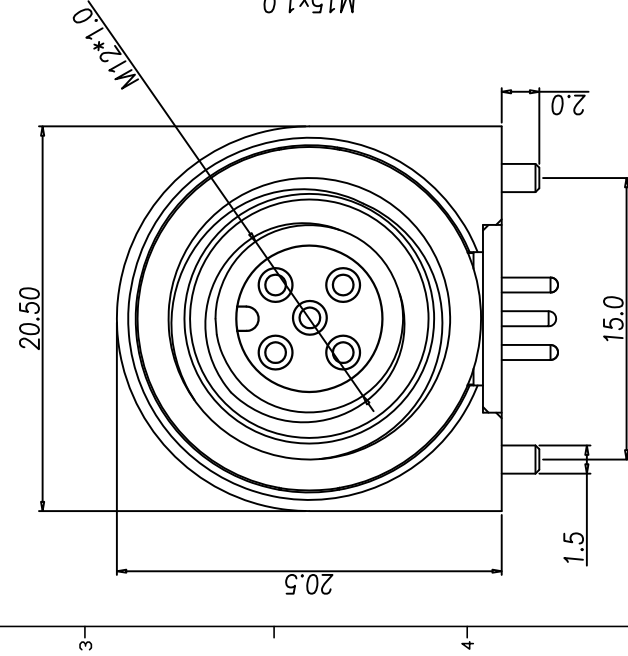
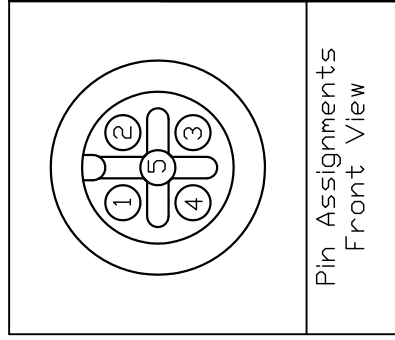
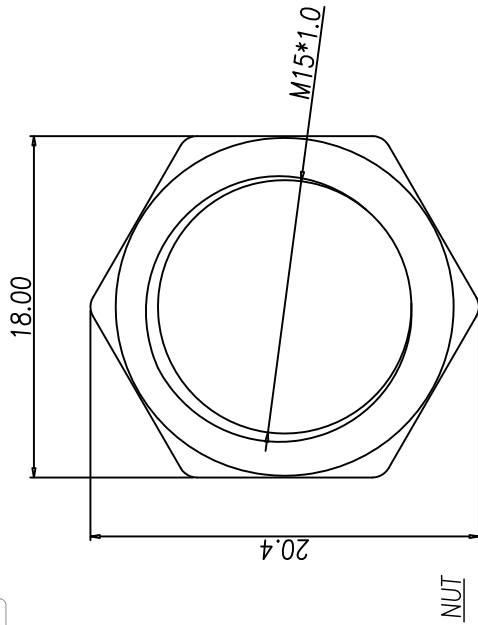




* SUBJECT TO CHANGE WITHOUT NOTICE



1. MATERIAL :
 - 1-1. HOUSING : PBT UL94V-0 ; COLOR : BLACK
 - 1-2. CONTACT : BRASS
 - 1-3. NUT : BRASS
 - 1-4. O-RING : EPDM ; COLOR : BLACK
 - 1-5. BACK HOUSING : PBT UL94V-0 ; COLOR : BLACK
 - 1-6. DOWN HOUSING : PBT UL94V-0 ; COLOR : BLACK
2. FINISH :
 - 2-1. CONTACT : GOLD, FLASH
 - 2-2. NUT : NICKEL 80u~100u" ON OVER ALL
3. ELECTRICAL SPECIFICATION :
 - 3-1. Rated current : 4A
 - 3-2. Rated voltage : 3~4PIN 250V ; 5PIN 60V
 - 3-3. Water proof : IPX7
4. Environmental :
 - 4-1. Operation Temperature : -40~+85°

REV.	DESCRIPTION	APPROVED BY	DATE	ECN NO.
A	RELEASE	KUNG	22/12/08*	
B				
C				

DRAWN		APPEND		TITLE		SHEET	
Yeh Chou	KUNG	M12 5P (F) A-CODE RIGHT ANGLE FRONT PANEL MOUNT , DIP TYPE.	1	1	1	1	1
CHK'D	Emly Suen	WP-05F2-01-11	1:1	PART NO.	DWG NO.	VERSION	A
					QC6634		