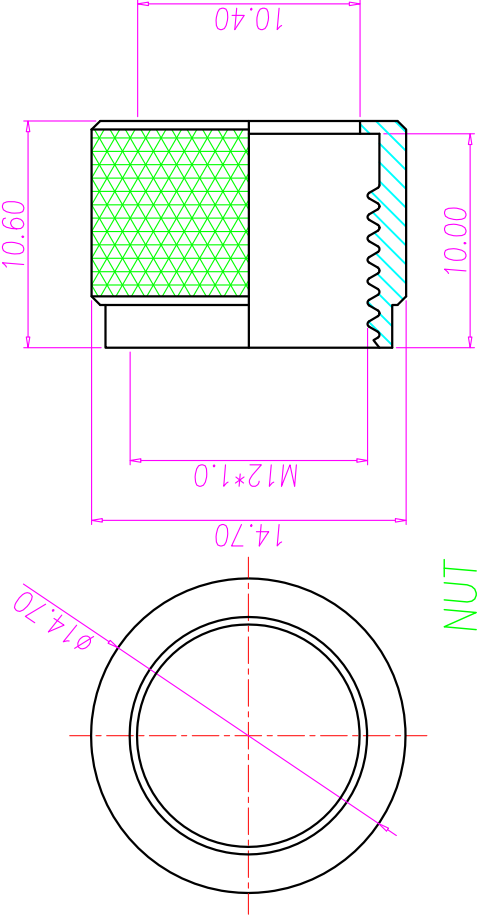
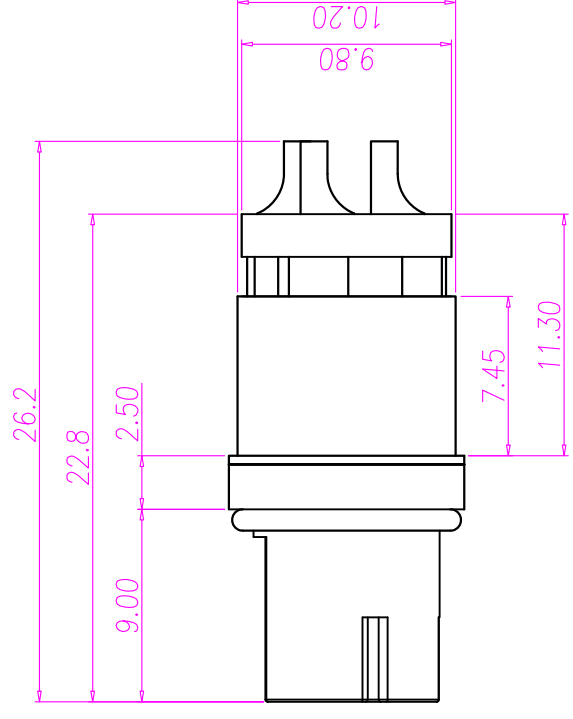
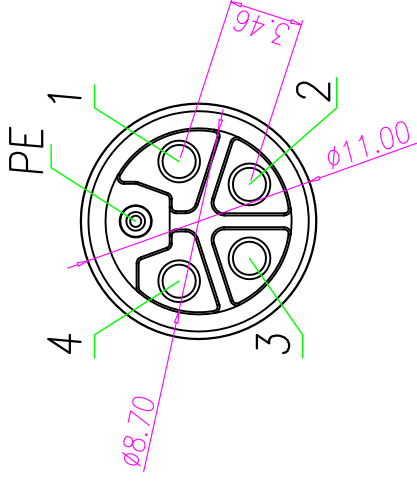


REV.	DESCRIPTION	APPROVED BY	DATE	ECN NO.
A	RELEASE	KUNG	12/04/06	
B				
C				



- MATERIAL :
 - HOUSING : PA66 UL94V-0 ; COLOR : BLACK
 - CONTACT : BRASS
 - NUT : BRASS
 - O-RING : EDPM
 - SHELL : BRASS.
- FINISH :
 - CONTACT : 10 MICRO INCHES MIN. GOLD PLATED
UNDER PLATE : NICKEL
 - NUT : NICKEL PLATED
 - SHELL : BRIGHT TIN PLATED
- ELECTRICAL SPECIFICATION :
 - Rated current : 10A
 - Rated Voltage : 60V
 - Water proof: IP67/68
- Environmental :
 - Operation Temperature : -40°C~105°C

DRAWN	Ku Chou	APP'D	KUNG	UNIT	TOLERANCE	x ±0.20 .xx ±0.10 .xxx ±0.05 .xxxx ±0.03 ANGLE ±1°				TITLE	M12 5PIN (4+PE)(M) L-CODE WATERPROOF CONNECTOR FOR CABLE.	SHEET
	CHK'D									Emily Suen	PART NO.	