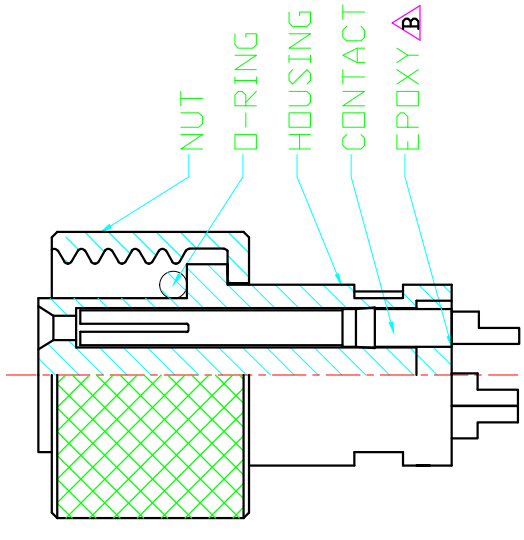
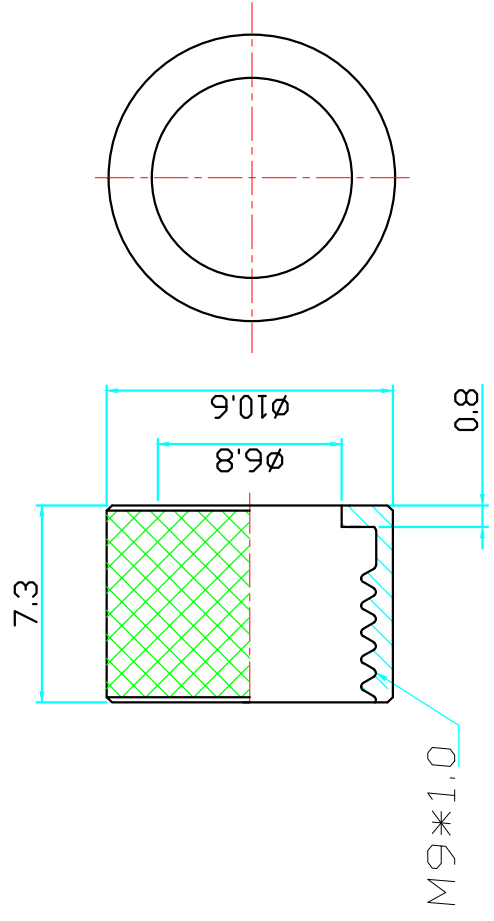
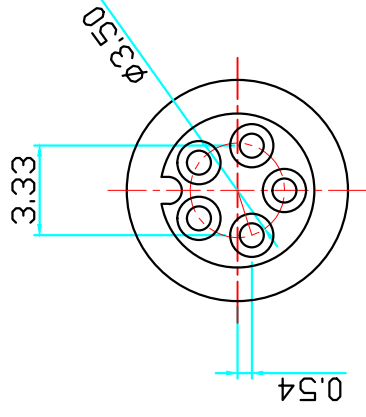
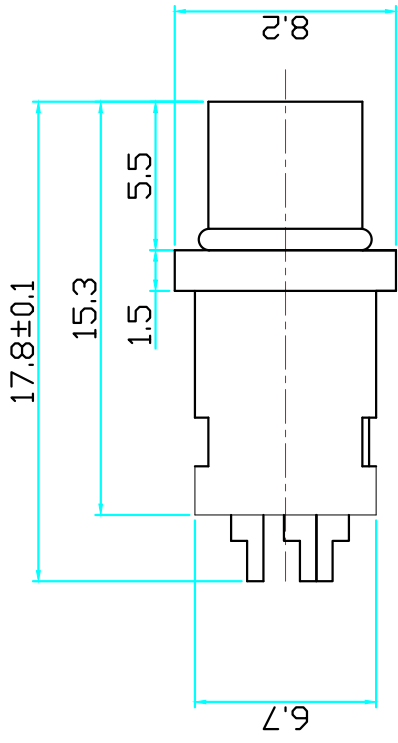


REV.	DESCRIPTION	APPROVED BY	DATE	ECN NO.
A				
B				
C				



- MATERIAL :
 - HOUSING : PBT UL94V-0 ; COLOR : BLACK
 - CONTACT : BRASS
 - O-RING : NBR ; COLOR : BLACK
 - NUT : BRASS
 - EPOXY : EF400A.B ; COLOR : BLACK
- FINISH :
 - CONTACT : 10 MICRO INCHES MIN. GOLD PLATED UNDER PLATE : NICKEL
 - NUT : NICKEL PLATED.
- ELECTRICAL SPECIFICATION :
 - Rated current : 5A
 - Rated Voltage : 125V
 - Water proof: IPX7
- Environmental :
 - Operation Temperature : -20 ℃~85℃

M9*1.0

NUT

DRAWN	N E L	APP'D	K U N G	UNIT	mm	TOLERANCE	JKL TECHNOLOGY CO., LTD.	TITLE	M9 9PIN FEMALE WATERPROOF CONNECTOR FOR CABLE	SHEET	1
CHK'D	T M			SCALE	1:1	.x ±0.20 .xx ±0.10 .xxx ±0.05 .xxxx ±0.03 ANGULA ±1°		PART NO.	WP-05F2-31	VERSION	A
								DWG.	QC3620		