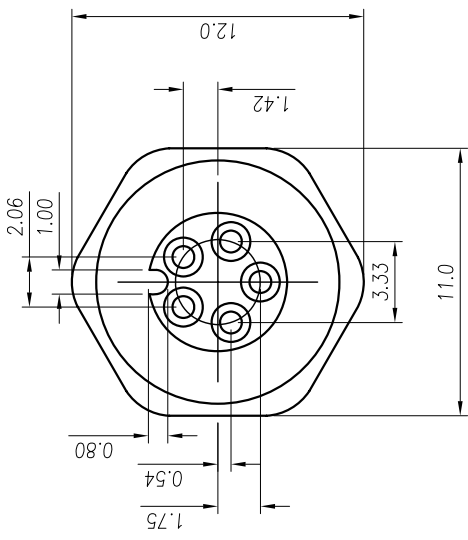
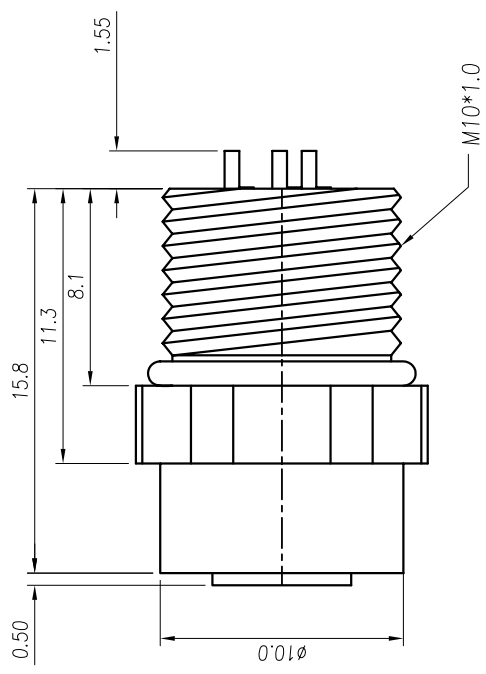
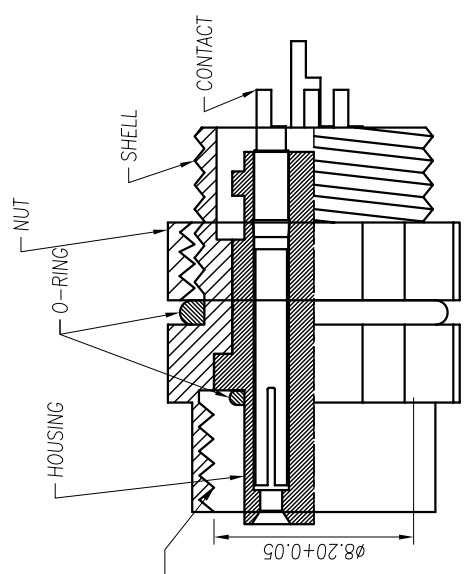


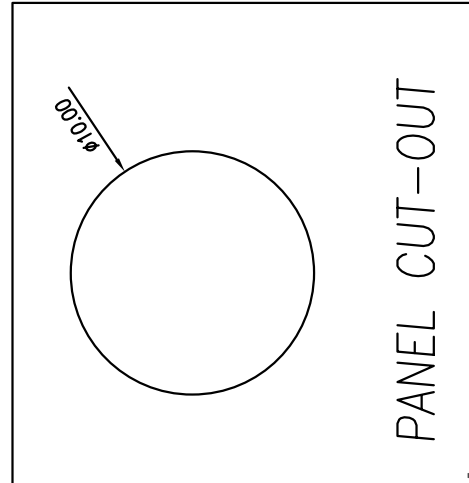
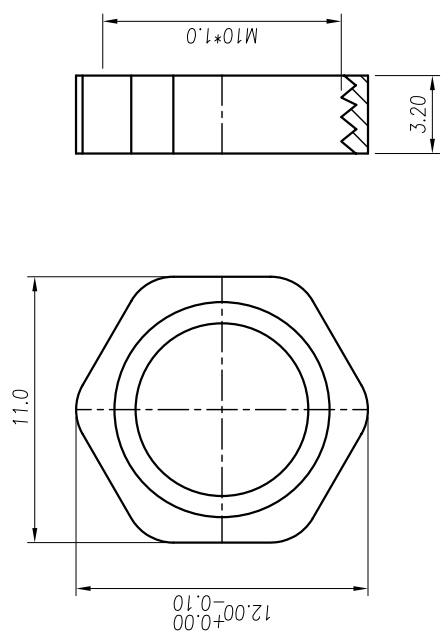
REV.	DESCRIPTION	APPROVED BY	DATE	ECN NO.
A	RELEASE	KUNG	29/08/11"	
B				
C				

DRAWN	KU	APP'D	KUNG	TITLE	M9 5PIN FEMALE REAR PANEL MOUNT.	SHEET	1
CHK'D	JUSTIN			PART NO.	WP-05F2-40	VERSION	A
				DWG.	QC4055		



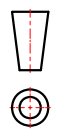
ASSEMBLY

1. MATERIAL :
 - 1-1. HOUSING : PBT UL94V-0 ; COLOR : BLACK
 - 1-2. CONTACT : BRASS
 - 1-3. SHELL : BRASS
 - 1-4. O-RING: NBR
 - 1-5. NUT: BRASS
2. FINISH :
 - 2-1. CONTACT : CONTACT AREA : 10 MICRO INCHES MIN. GOLD PLATED
SOLDER AREA : TIN
UNDER PLATE : NICKEL
 - 2-2. SHELL : NICKEL PLATED
 - 2-3. NUT : NICKEL PLATED
3. ELECTRICAL SPECIFICATION :
 - 3-1. Rated current : 5A
 - 3-2. Voltage : 125V
 - 3-3. Water proof: IPX7
4. Environmental :
 - 4-1. Operation Temperature : -20°C~85°C



PANEL CUT-OUT

TOLERANCE	mm	UNIT	SCALE	ANGULAR
x ±0.20			1:1	±1°
xx ±0.10				
xxx ±0.05				
xxxx ±0.03				



JKL TECHNOLOGY CO., LTD.