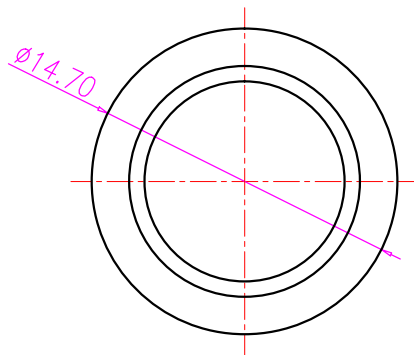
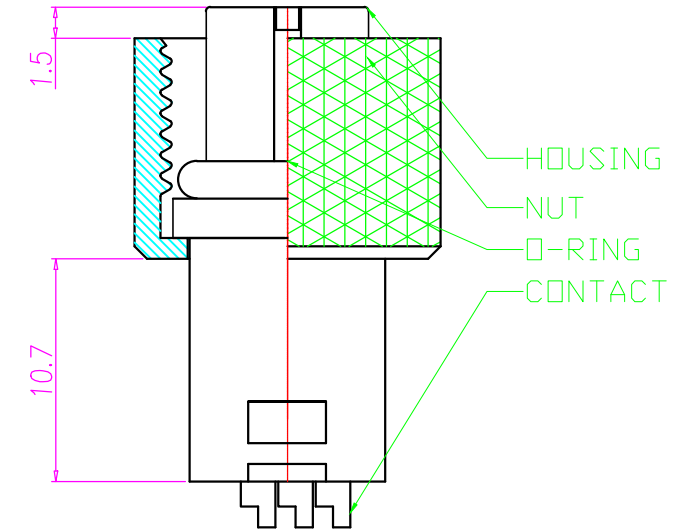
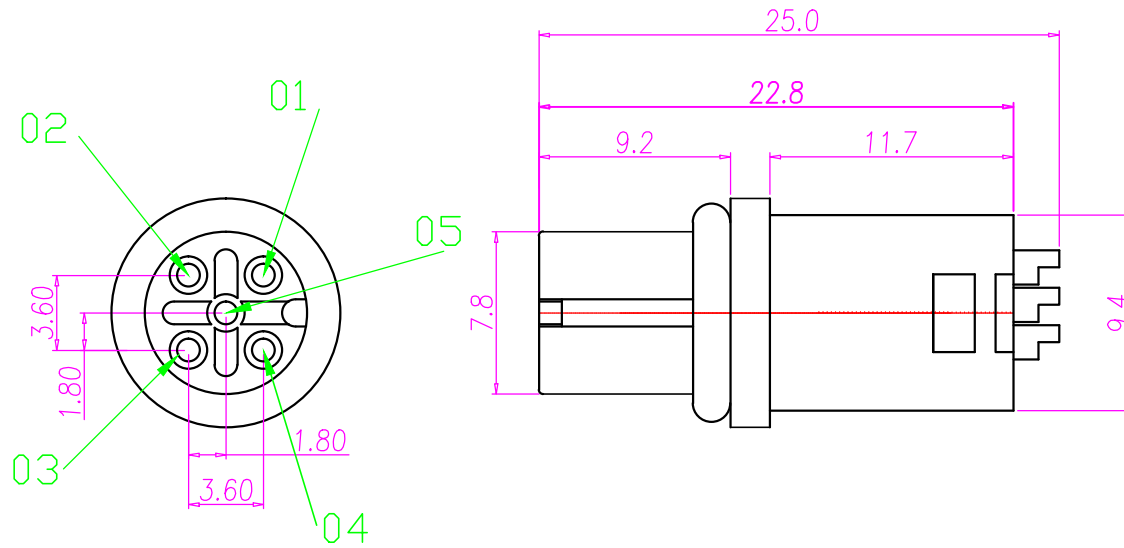
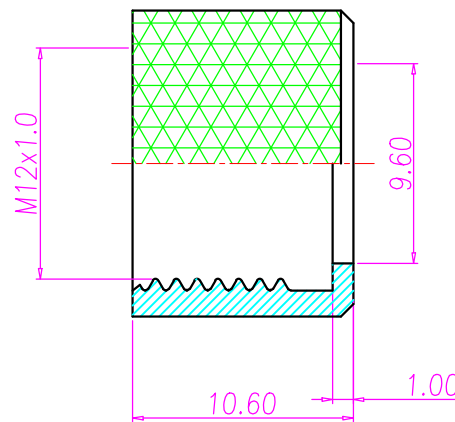




REV.	DESCRIPTION	APPROVED BY	DATE	ECN NO.
A				
B				
C				



NUT



- MATERIAL :
 - 1-1. HOUSING : PBT UL94V-0 ; COLOR : BLACK
 - 1-2. CONTACT : BRASS
 - 1-3. NUT : BRASS
 - 1-4. O-RING :EPDM; COLOR : BLACK(7.5*1.5)
- FINISH :
 - 2-1. CONTACT : 10 MICRO INCHES MIN. GOLD PLATED UNDER PLATE : NICKEL
 - 2-2.NUT : NICKEL PLATED 60u" ~ 100u" OVER ALL
- ELECTRICAL SPECIFICATION :
 - 3-1. Rated current : 5A
 - 3-2. Voltage :125V
 - 3-3. Water proof: IPX7
- Environmental :
 - 4-1. Operation Temperature : -20℃~85℃

DRAWN	Ku Chou	APP'D	KUNG	UNIT	mm	TOLERANCE		JKL TECHNOLOGY CO., LTD.	TITLE	M12 5 PIN FEMALE WATERPROOF CONNECTOR FOR CABLE			SHEET
CHK'D	Emily Suen			SCALE	1:1	.x ±0.20 .xx ±0.10 .xxx ±0.05 .xxxx ±0.03 ANGULA ±1°			PART NO.	WP-05F2-44	DWG NO.	QC4290	VERSION