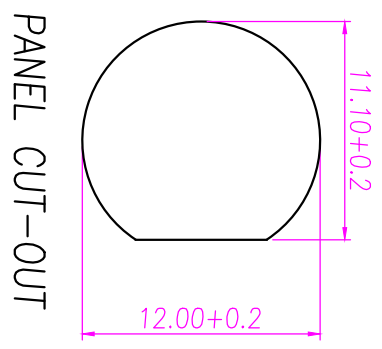
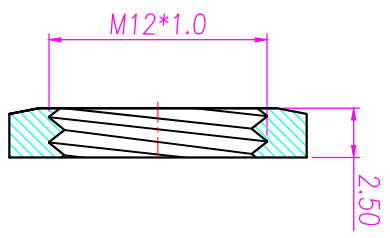
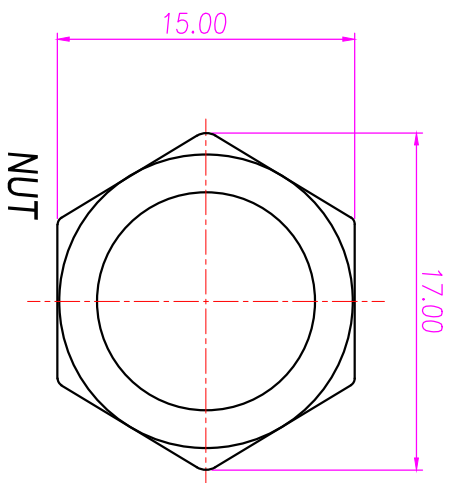
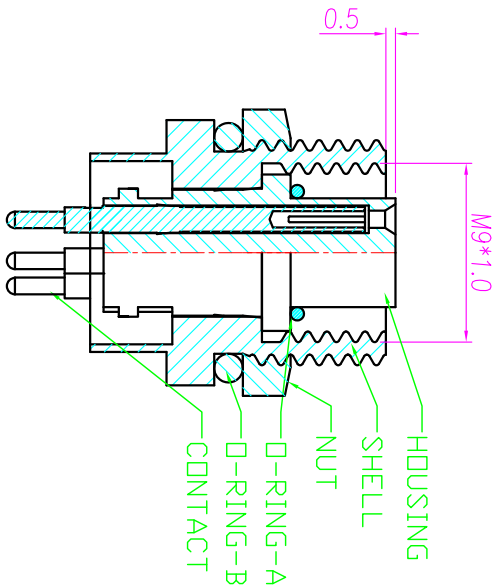
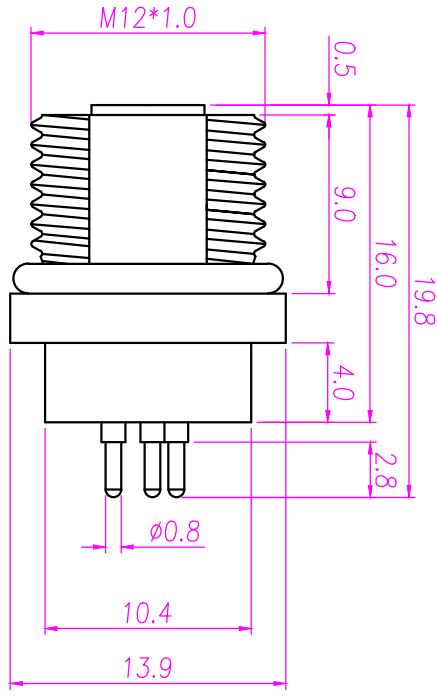
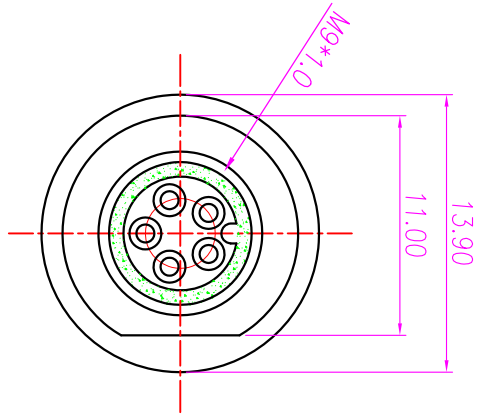


RECOMMEND P.C.B LAYOUT

| REV. | DESCRIPTION | APPROVED BY | DATE | ECN NID. |
|------|-------------|-------------|-----------|----------|
| A | RELEASE | KUNG | 31/03/16' | |
| B | | | | |
| C | | | | |



- MATERIAL :
 - HOUSING : PBT UL94V-0 ; COLOR : BLACK
 - CONTACT : BRASS
 - O-RING A : NBR; COLOR : BLACK
 - O-RING B : EPDM ; COLOR : BLACK
 - NUT : BRASS
- FINISH :
 - CONTACT : GOLD PLATED
 - UNDER PLATE : NICKEL
 - NUT : NICKEL PLATED .
 - SHELL : NICKEL PLATED .
- ELECTRICAL SPECIFICATION :
 - Rated current : 5A
 - Voltage :125V
 - Water proof: IPX7
- Environmental :
 - Operation Temperature : -20 C~85C

| | | | | | | | | | | | | |
|-------|----|-------|------|-------|-----|--|--|--------------------------|---------------|---------------------------------------|----------|---------|
| DRAWN | KU | APP'D | KUNG | UNIT | mm | TOLERANCE | | JKL TECHNOLOGY CO., LTD. | PART NID. | TITLE | DWG NID. | SHEET |
| CHK'D | | | | SCALE | 1:1 | x ±0.20 xx ±0.10 xxx ±0.05 xxxxx ±0.03 ANGLA ±1° | | | WP-05F3-01-11 | M9 5P (F) FRONT PANEL MOUNT,DIP TYPE. | N-16056 | VERSION |